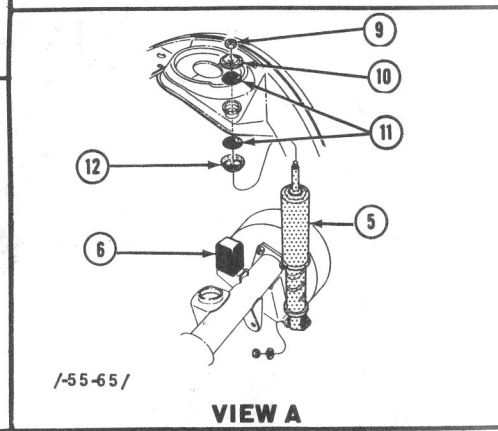
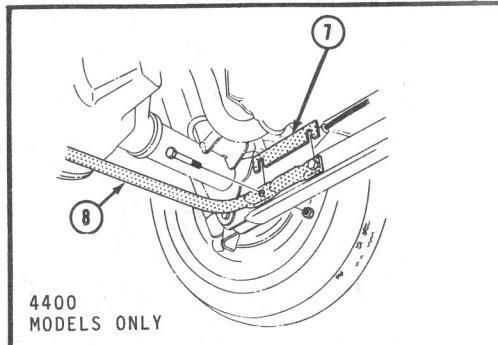
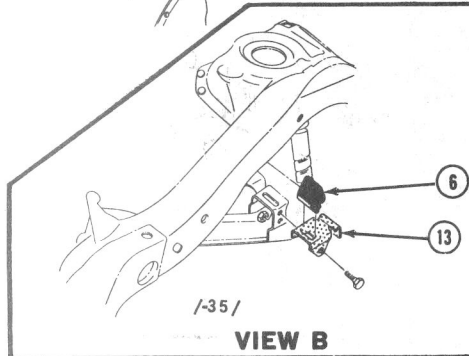
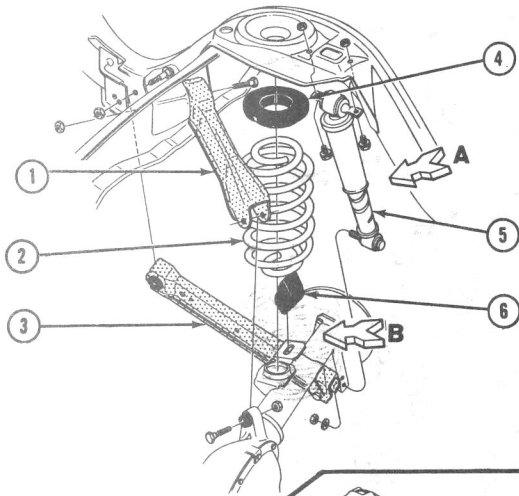


**REAR SUSPENSION
(TYPICAL)**

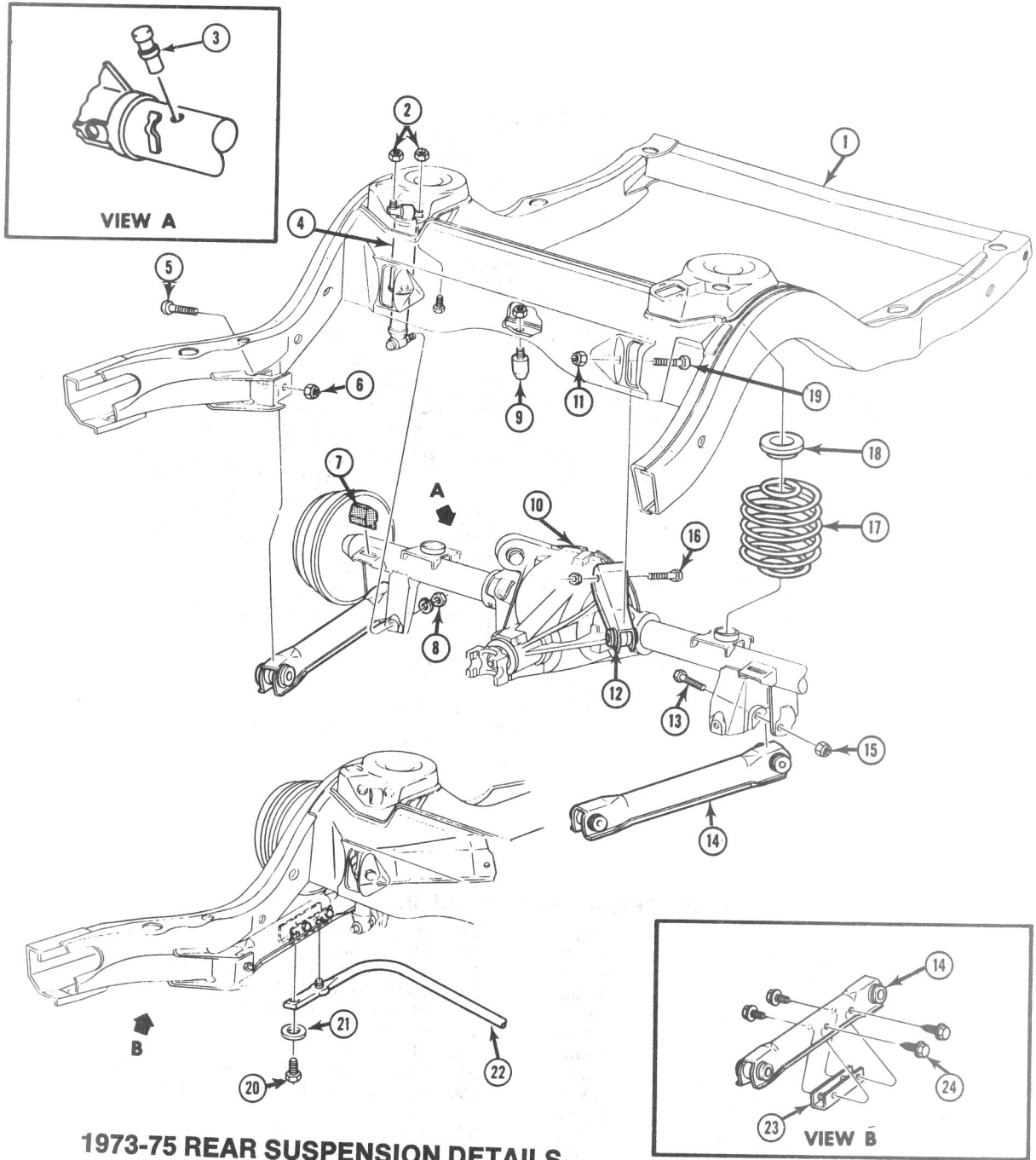
Key	Description	Group
1	Absorber, Rear Shock	7.345
2	Arm, Rear Axle Control—Lower	5.382
3	Arm, Rear Axle Control—Upper	5.382
4	Bumper, Rear Axle	5.395
5	Bushing, Rear Axle Control Arm	5.381

Key	Description	Group
6	Clamp, Rear Spring	7.518
7	Nut, Shock Absorber	7.355
8	Spacer, Rear Axle Bumper	5.394
9	Spring, Rear	7.503



**1969 REAR SUSPENSION
(TYPICAL OF 1970-72)**

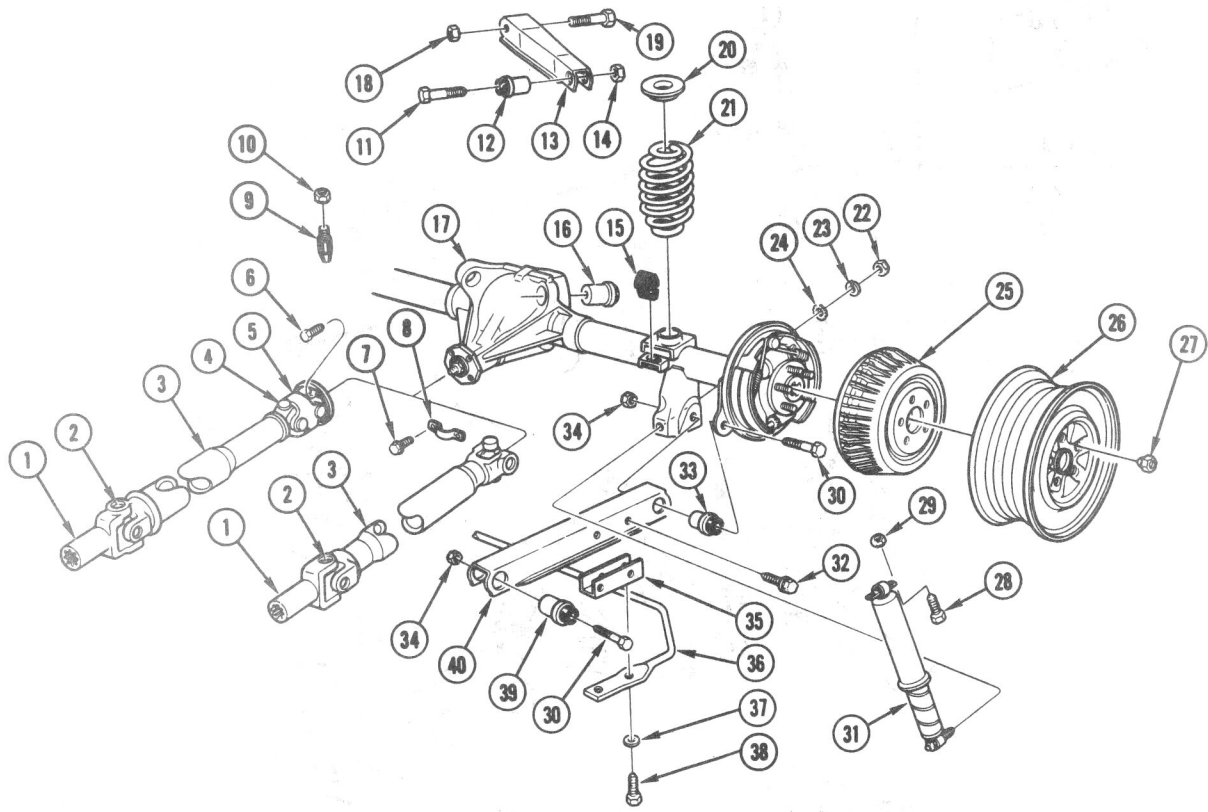
Key	Description	Group
1	Arm, Rear Axle Control — Upper	5.382
2	Spring, Rear	7.503
3	Arm, Rear Axle Control — Lower	5.382
4	Insulator, Rear Spring	7.545
5	Absorber, Rear Shock	7.345
6	Bumper, Rear Axle	5.395
7	Shim, Lower Control Arm To Rear Stabilizer	7.243
8	Shaft, Rear Stabilizer	7.241
9	Nut, Shock Absorber	7.355
10	Washer, Shock Absorber Grommet Retainer	7.377
11	Grommet, Shock Absorber	7.348
12	Washer, Shock Absorber Grommet Retainer	7.377
13	Spacer, Rear Axle Bumper	5.394



1973-75 REAR SUSPENSION DETAILS

Key	Description	Group
1	Frame Assembly, Chassis	7.003
2	Nut, Shock Absorber To Frame	8.917
3	Vent, Rear Axle	5.387
4	Absorber, Rear Shock	7.345
5	Bolt, Control Arm To Frame	5.382
6	Nut, Control Arm To Frame Bolt	8.917
7	Bumper, Rear Axle	5.395
8	Nut, Shock Absorber Lower Attaching	8.917
9	Bumper, Rear Axle	5.395
10	Housing, Rear Axle	5.387
11	Nut, Upper Control Arm Attaching	8.917
12	Arm, Rear Axle Control — Upper	5.382

Key	Description	Group
13	Bolt, Lower Control Arm Attaching	8.900
14	Arm, Rear Axle Control — Lower	5.382
15	Nut, Lower Control Arm Attaching	8.917
16	Bolt, Upper Control Arm Attaching	8.900
17	Spring, Rear	7.503
18	Insulator, Rear Spring	7.545
19	Bolt, Upper Control Arm Attaching	8.900
20	Bolt, Stabilizer Shaft Attaching	8.900
21	Washer, Stabilizer Shaft Attaching Bolt	8.929
22	Shaft, Rear Stabilizer	7.241
23	Bracket, Stabilizer Shaft	7.242
24	Screw, Stabilizer Shaft Bracket	8.977



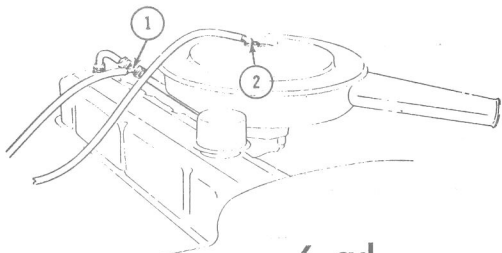
1976 REAR SUSPENSION—TYPICAL (EXC. STA. WAG.)

1. YOKE, Rear Universal Joint, Front	5.555	21. SPRING, Rear Coil	7.503
2. REPAIR KIT, Universal Joint, Front	5.548	22. NUT, Shock Lower Stud to Axle	8.915
3. SHAFT ASM., Propeller	5.544	23. NUT, Pinion Nose Bumper Asm.	8.915
4. YOKE, Universal Joint, Rear	5.555	24. BUMPER ASM., Pinion Nose	5.395
5. REPAIR KIT, Universal Joint, Rear	5.548	25. DRUM, Rear Wheel Brake	5.803
6. BOLT, Strap to Flange	5.586	26. WHEEL, Rear	5.803
7. BOLT, Prop. Shaft to Rear Axle	5.586	27. NUT, Wheel, Rear	5.813
8. STRAP, Prop. Shaft to Flange	5.586	28. SCREW, Shock Absorber Attach., Upper	8.977
9. BUMPER ASM., Pinion Nose	5.395	29. NUT, Shock Absorber to Frame	8.915
10. NUT, Pinion Bumper Asm.	8.915	($\frac{9}{16}$ "—18)	8.915
11. BOLT, Upr. Cont. Arm to Axle Hsg.	5.383	30. BOLT, Lower Control Arm-Front	8.900
12. BUSHING ASM., Upr. Cont. Arm	5.381	31. SHOCK ABSORBER ASM., Rear	7.345
13. ARM ASM., Rear Axle Upper Control	5.382	32. BOLT, Stabilizer Shaft to Cont. Arm	8.977
14. NUT, Upr. Cont. Arm to Axle Hsg. Brkt.	8.917	($\frac{9}{8}$ "—16 x $\frac{3}{4}$ ")	8.977
($\frac{9}{16}$ "—12)	8.917	33. BUSHING ASM., Lower Control	5.381
15. BUMPER, Rear Axle	5.395	Arm-Rear	5.381
16. BUSHING ASM., Upper Control Arm, at	5.381	34. NUT, Lower Control Arm-Rear ($\frac{9}{16}$ "—12)	8.917
Axle Hsg.	5.381	35. BRACKET, Rear Stabilizer Shaft	7.242
17. CARRIER & TUBES ASM., Differential	5.387	36. SHAFT, Rear Stabilizer	7.241
18. NUT, Upper Control Arm to Frame Brkt.	8.917	37. WASHER, Rear Stabilizer Shaft	7.242
($\frac{1}{2}$ "—13)	8.917	38. BOLT, Rear Stabilizer Shaft ($\frac{7}{16}$ "—14 x	8.900
19. BOLT, Upper Control Arm to Axle Hsg.	5.383	$1\frac{1}{2}$ ")	8.900
Brkt.	5.383	39. BUSHING ASM., Lower Control	5.381
20. INSULATOR, Rear Spring	7.545	Arm-Front	5.381
		40. ARM ASM., Rear Axle Lower Control	5.382

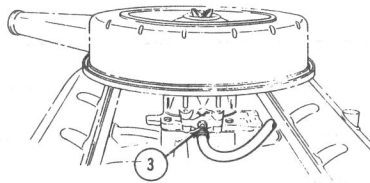


NOTES

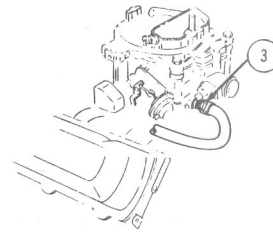
A series of horizontal lines for taking notes, spanning the width of the page below the header.



6 cyl.

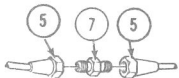


2 BC

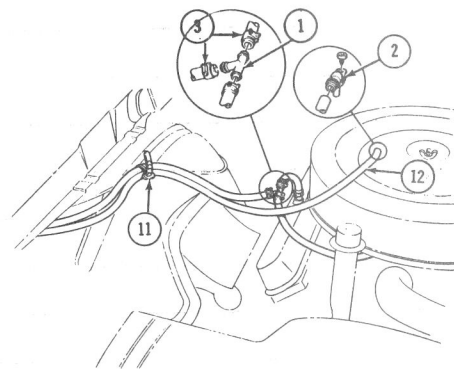
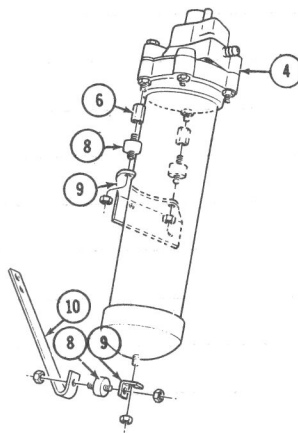
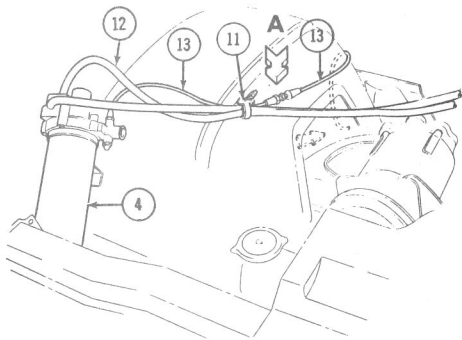


4 BC

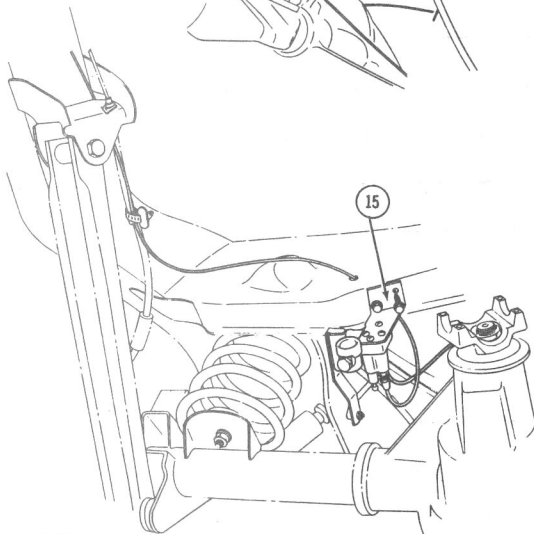
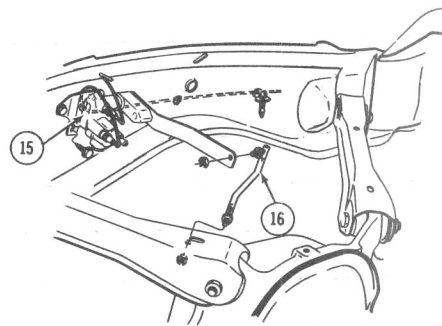
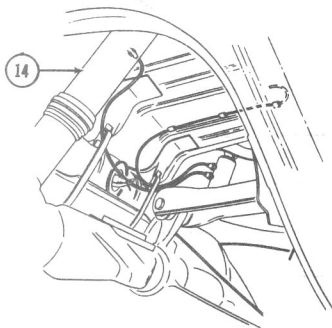
VACUUM SOURCES



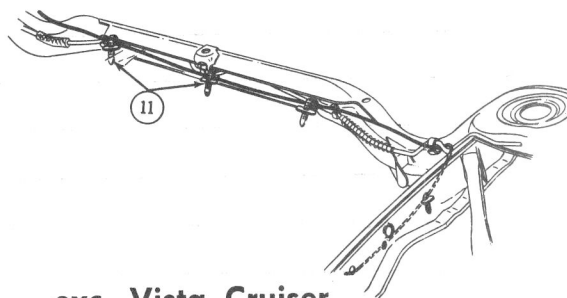
VIEW A



COMPRESSOR DETAILS



Vista Cruiser

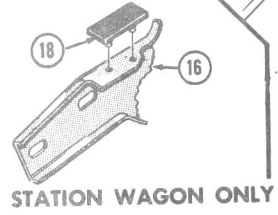
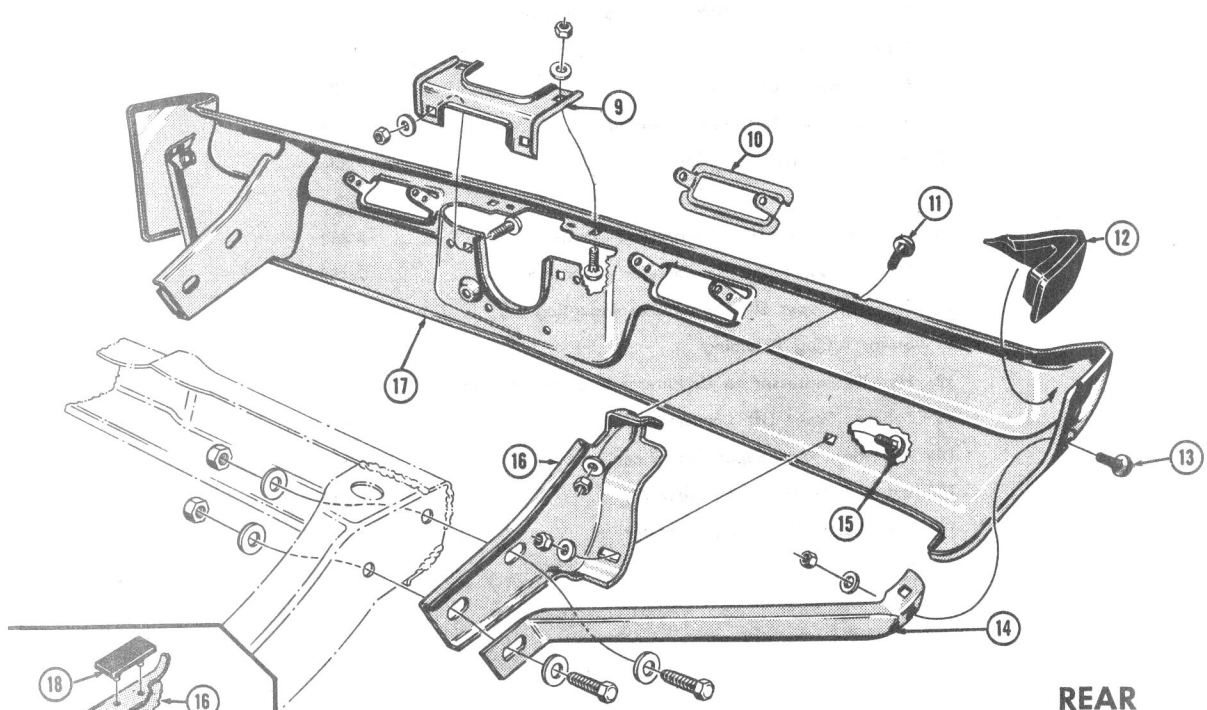
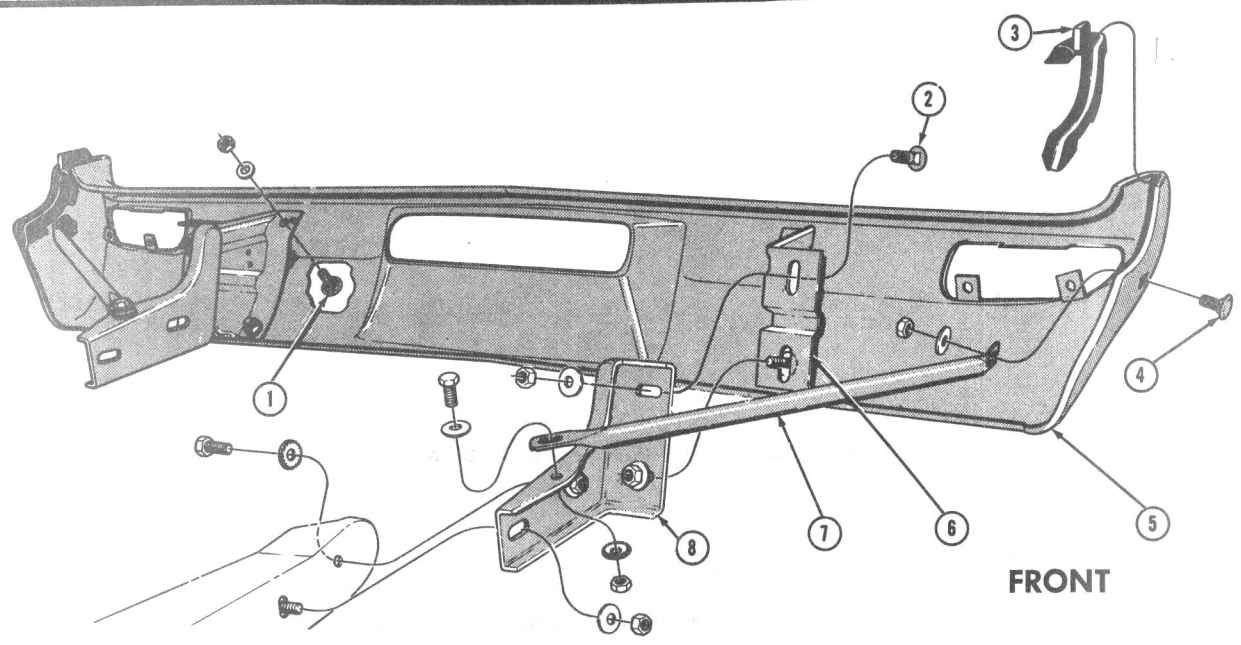


exc. Vista Cruiser

SUPER LIFT SHOCK ABSORBER DETAILS

SUPER LIFT SHOCK ABSORBER DETAILS

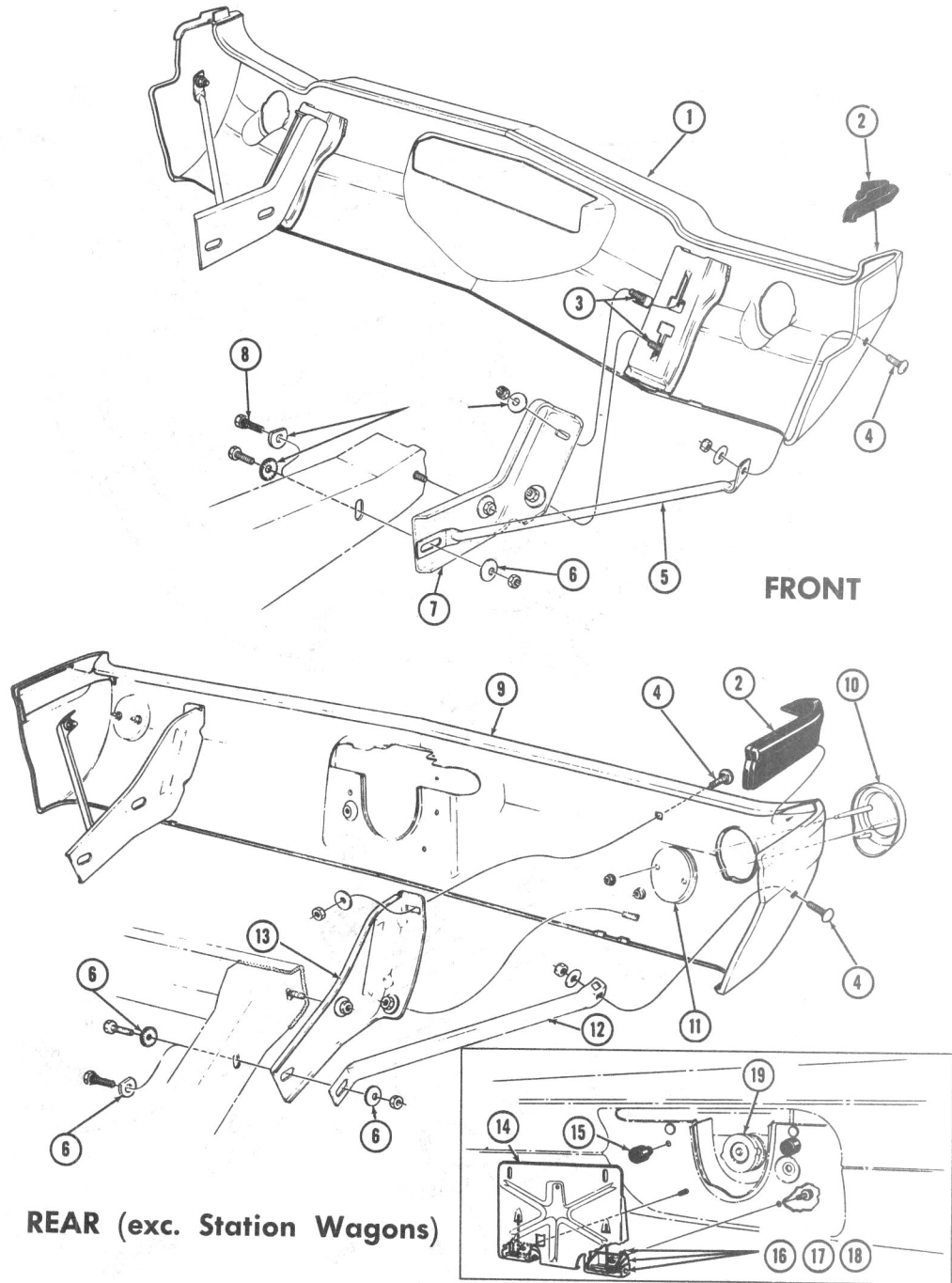
Key	Description	Group
1	Tee, Automatic Level Control—Compressor Vacuum Hose ..	7.346
2	Fitting, Super Lift Intake Hose to Carburetor	7.346
3	Hose Clamp	S.S.
4	Compressor, Super Lift	7.455
5.	Fitting, Superlift Tubing to Union	7.346
6	Nut, Super Lift Air Tube	7.346
7	Union	S.S.
8	Bushing, Super Lift Compressor Mounting	7.452
9	Bracket, Super Lift Compressor Mounting	7.452
10	Support, Super Lift Compressor Mounting	7.452
11	Strap, Tubing Retaining	S.S.
12	Hose, Compressor to Carburetor and Air Cleaner	S.S.
13	Tubing, Super Lift Compressor	7.346
14	Absorber, Rear Super Lift Shock	7.345
15	Valve, Rear Shock Absorber Air	7.345
16	Rod, Super Lift Valve Actuator	7.477



1964 BUMPER DETAIL

Key	Description	Group
1	Bolt	S.S.
2	Bolt	S.S.
3	Filler Bumper to Fender	7.831
4	Bolt	S.S.
5	Bar, Front Bumper Primary	7.831
6	Reinforcement, Bumper	7.836
7	Brace, Front Bumper — Outer	7.836
8	Bracket, Front Bumper to Frame	7.836
9	Reinforcement, Bumper — Rear Centre	7.836

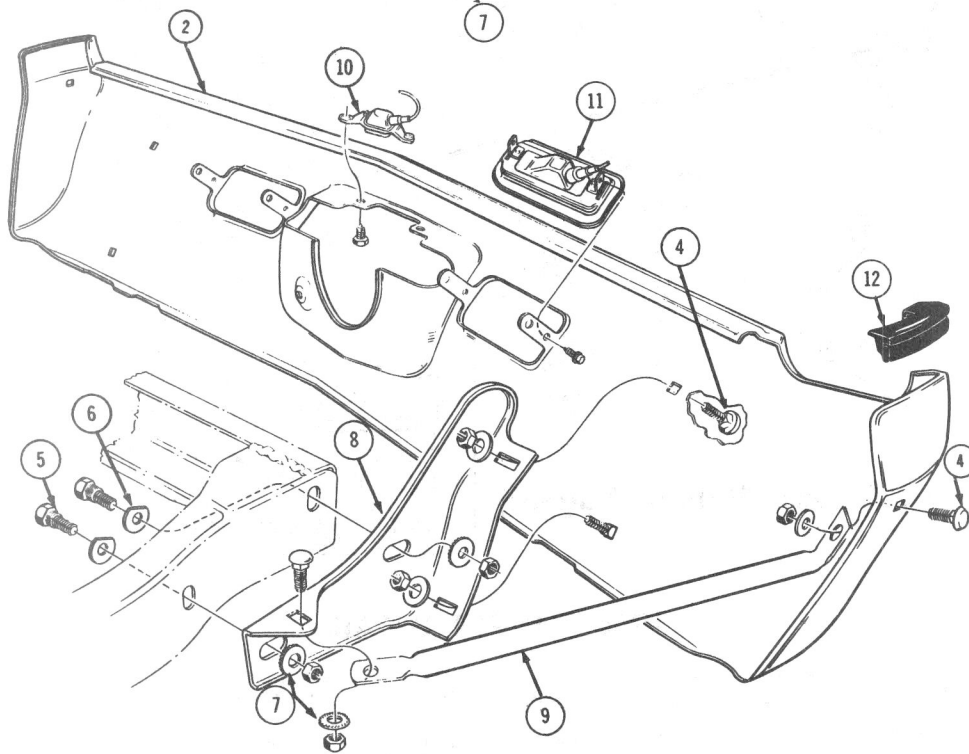
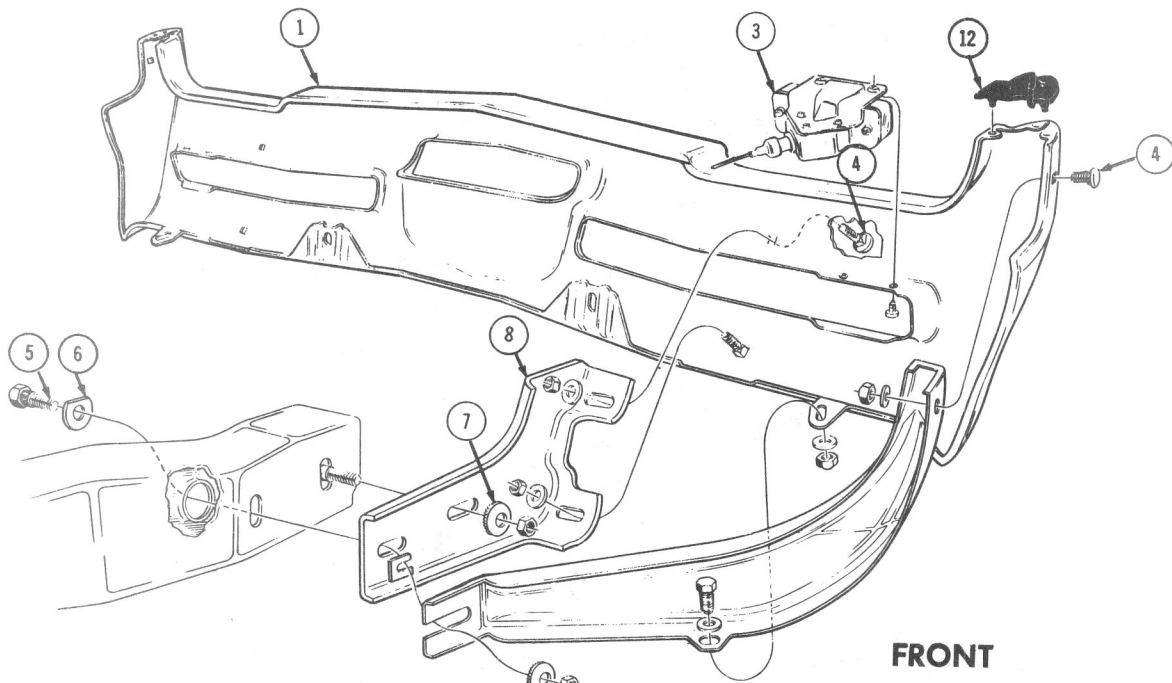
Key	Description	Group
10	Ornament, Bumper Back-up Lamp Opening	2.697
11	Bolt	S.S.
12	Filler, Bumper to Fender	7.831
13	Bolt	S.S.
14	Brace, Rear Bumper — Outer	7.836
15	Bolt	S.S.
16	Bracket, Rear Bumper to Frame	7.836
17	Bar, Rear Bumper Primary	7.831
18	Pad, Rear Bumper Bracket	7.875



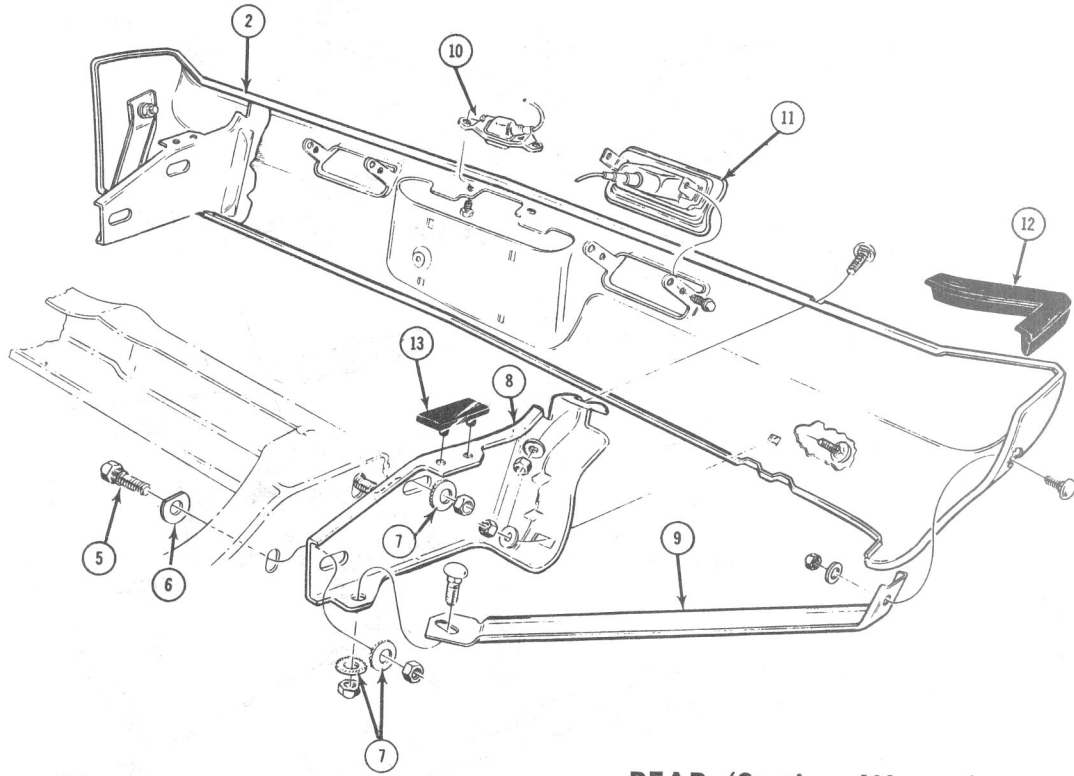
1965 BUMPER DETAIL

Key	Description	Group
1	Bar, Front Bumper Primary	7.831
2	Filler, Bumper to Fender	7.831
3	Bolt, Front and Rear Bumper Face Plate and Anchor Bracket	7.859
4	Bolt	S.S
5	Brace, Front Bumper—Outer	7.836
6	Washer, Front and Rear Bumper	7.831
7	Bracket, Front Bumper to Frame	7.836
8	Bolt, Bumper Reinforcement to Bracket	7.836
9	Bar, Rear Bumper Primary	7.831

Key	Description	Group
10	Ornament, Rear Bumper	2.697
11	Retainer, Rear Bumper Ornament	7.832
12	Brace, Rear Bumper—Outer	7.836
13	Bracket, Rear Bumper to Frame	7.836
14	Door, Gas Tank Filler	12.945
15	Bumper, Fuel Filler Door	12.945
16	Bracket, Fuel Tank Filler Door Hinge	8.209
17	Pin, Gas Tank Filler Door Hinge	8.209
18	Spring, Gas Tank Filler Door Hinge	8.209
19	Cap, Gasoline Tank Filler	3.028



1966 BUMPER DETAIL — Key on right page

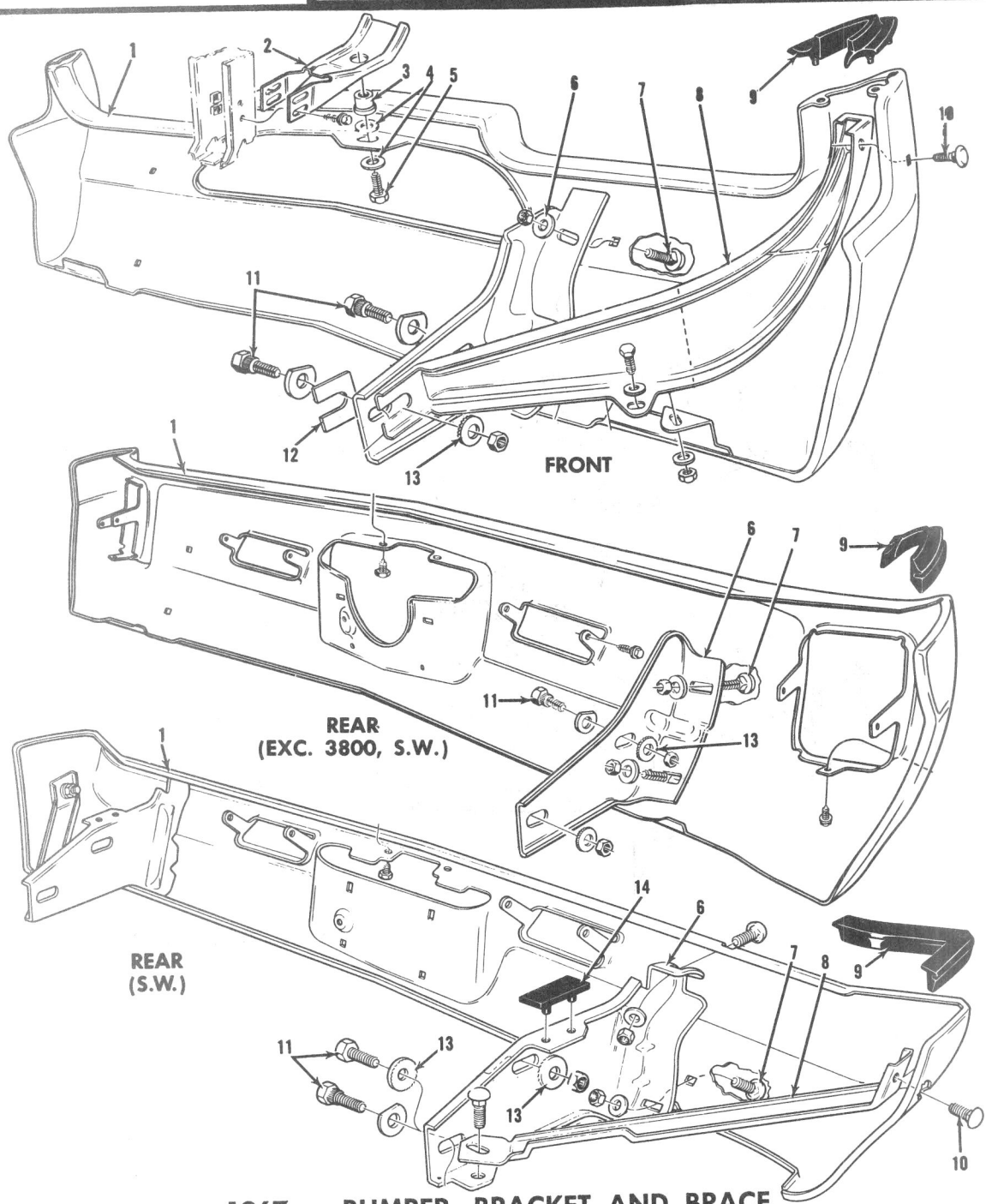


REAR (Station Wagon)

1966 BUMPER DETAIL

Key	Description	Group
1	Bar, Front Bumper Primary	7.831
2	Bar, Rear Bumper Primary	7.831
3	Lamp, Parking and Turn Signal	2.585
4	Bolt	S.S.
5	Bolt, Frame to Bumper Assembly—Outer	7.836
6	Washer, Frame to Bumper Bolt—Inner	N.L.
7	Washer, Frame to Bumper Bolt—Outer	N.L.

Key	Description	Group
8	Bracket, Bumper to Frame	7.836
9	Brace, Rear Bumper—Outer	7.836
10	Lamp, Rear License	2.700
11	Lamp, Back-up	2.697
12	Filler, Bumper to Fender	7.831
13	Pad, Rear Bumper Bracket	7.865

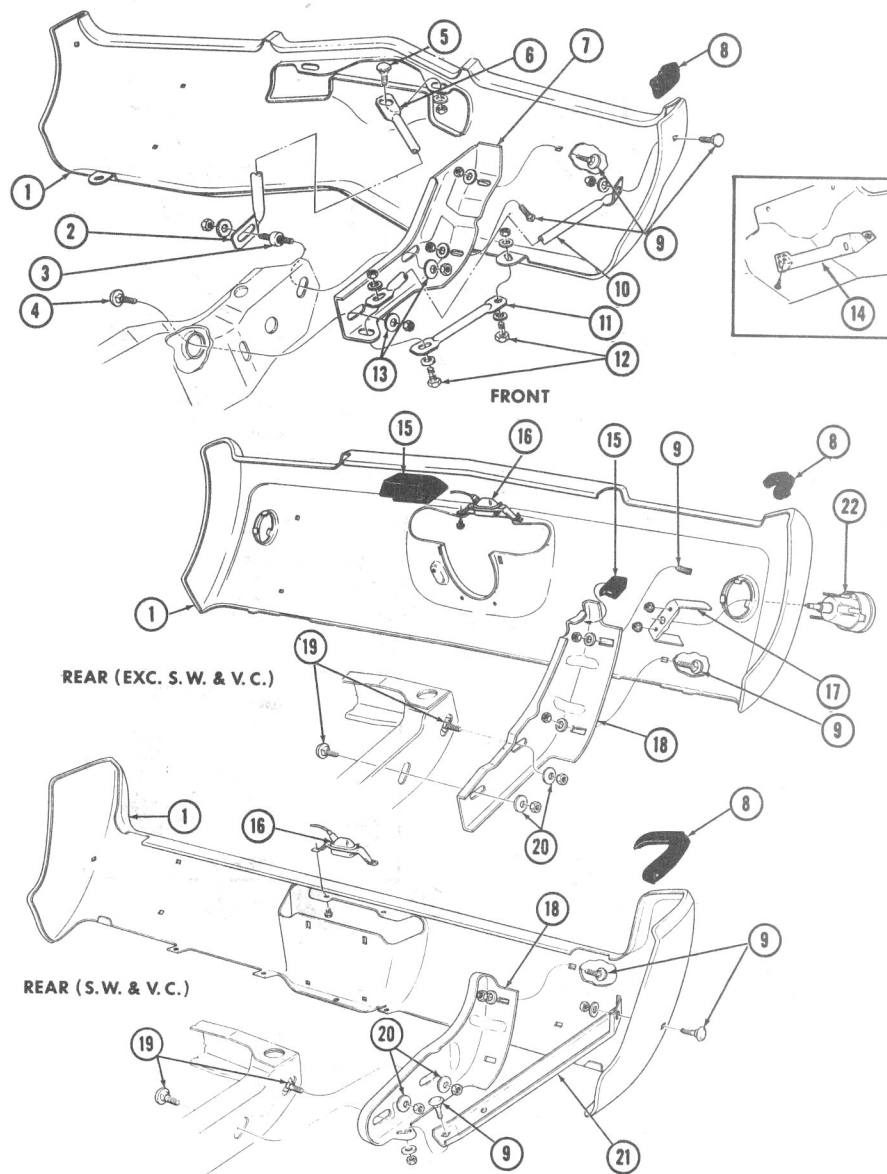


1967 — BUMPER, BRACKET AND BRACE

Key	Description	Group
1	Bar, Front and Rear Bumper—Primary	7.831
2	Support Assy., Front Bumper Centre	7.836
3	Nut Assy., Front Bumper Centre Support	7.836
4	Washer, Front Bumper Centre Support	SS
5	Bolt, Front Bumper Centre Support	SS
6	Bracket, Bumper to Frame	7.836
7	Bolt	SS

Key	Description	Group
8	Brace, Front and Rear Bumper—Outer	7.836
9	Filler, Bumper to Fender	7.831
10	Bolt	SS
11	Bolt, Frame to Bumper Assy.—Outer	7.836
12	Shim—Bumper Bracket to Frame	
13	Washer—Frame to Bumper Bolt Inner	NL
14	Pad, Rear Bumper Bracket	7.865

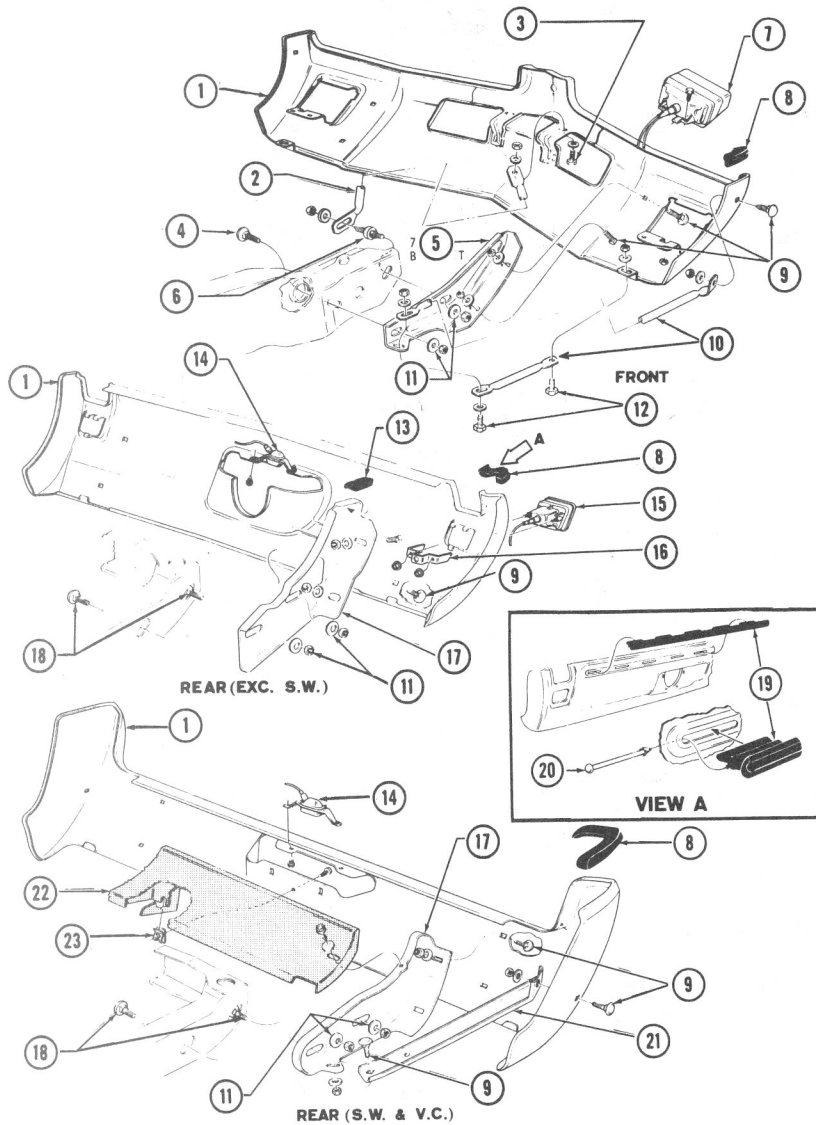
SS—Standard Stock
NL—Not Listed



1968 BUMPER BAR & ATTACHING PARTS

Key	Description	Group
1	Bar, Front / Rear Bumper Primary	7.831
2	Brace, Front Bumper Centre	7.836
3	Bolt, Bumper Assembly	7.836
4	Bolt, Bumper Assembly	7.836
5	Bolt, Bumper Assembly	7.836
6	Brace, Front Bumper Centre	7.836
7	Bracket, Front Bumper To Frame	7.836
8	Filler, Bumper To Fender — Rubber	7.831
9	Bolt — $\frac{3}{16}$ - 14 x 1	8.903
10	Brace, Front Bumper Outer — Upper	7.836
11	Brace, Front Bumper Outer — Lower	7.836
12	Bolt — $\frac{3}{16}$ - 14 x 1	8.900

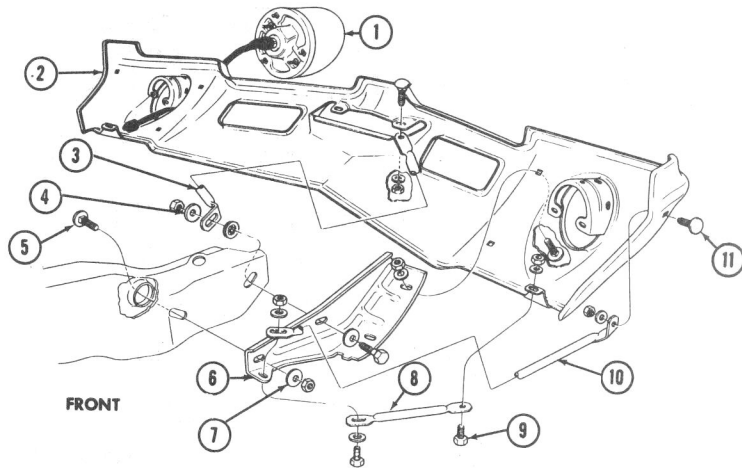
Key	Description	Group
13	Washer, Front and Rear Bumper	7.831
14	Support, Front License	7.800
15	Pad, Rear Bumper Bracket	7.875
16	Lamp, Rear License	2.700
17	Retainer, Back Up Lamp	2.697
18	Bracket, Rear Bumper To Frame	7.869
19	Bolt, Front and Rear Bumper Face Plate and Anchor Bracket	7.859
20	Washer, Front and Rear Bumper — Serrated	7.831
21	Brace, Rear Bumper Outer	7.836
22	Lamp, Back Up — Complete	2.697



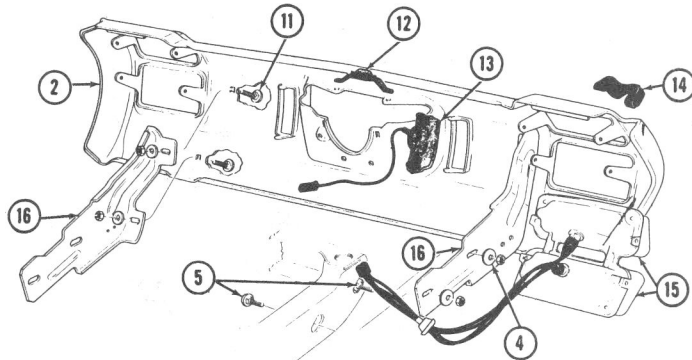
1969 BUMPERS & ATTACHING PARTS

Key	Description	Group
1	Bar, Front / Rear Bumper Primary	7.831
2	Brace, Front Bumper Centre	7.836
3	Bolt — $\frac{7}{16}$ - 14 x 1	8.900
4	Bolt — $\frac{1}{2}$ - 13 x $1\frac{7}{8}$	8.903
5	Bracket, Front Bumper To Frame	7.836
6	Bolt, Bumper Assembly — Centre Brace To Frame	7.836
7	Lamp, Parking and Turn Signal	2.585
8	Filler, Bumper To Fender — Rubber	7.831
9	Bolt — $\frac{7}{16}$ - 14 x 1	8.903
10	Brace, Front Bumper Outer — Upper and Lower	7.836
11	Washer, Front and Rear Bumper — Serrated	7.831
12	Bolt — $\frac{7}{16}$ - 14 x 1	8.900

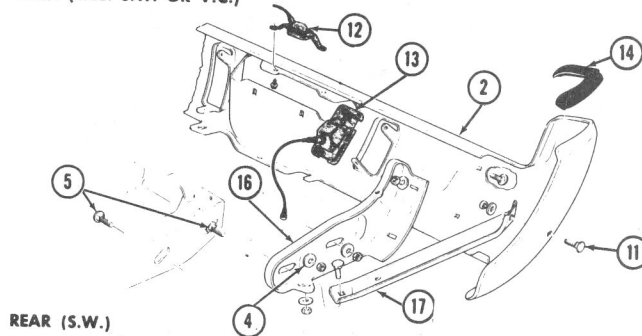
Key	Description	Group
13	Pad, Rear Bumper Bracket	7.875
14	Lamp, Rear License	2.700
15	Lamp, Back Up — Complete	2.697
16	Bracket, Back Up Lamp	2.697
17	Bracket, Rear Bumper To Frame	7.869
18	Bolt — $\frac{1}{2}$ - 13 x $1\frac{7}{8}$	8.903
19	Insert, Rear Bumper Guard	7.828
20	Pin, Rear Bumper Insert Retaining	7.832
21	Brace, Rear Bumper Outer	7.836
22	Baffle, Rear Bumper To Body	7.831
23	Nut — U-Shape — No. 8-18	8.921



FRONT



REAR (EXC. S.W. OR V.C.)

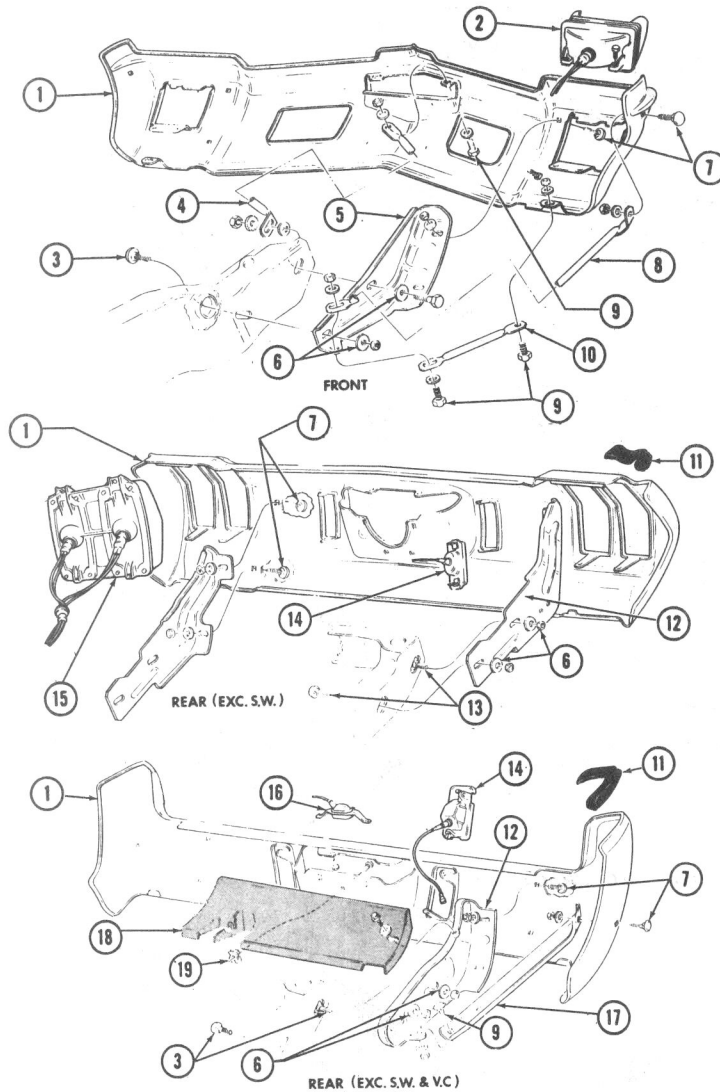


REAR (S.W.)

1971-72 BUMPER BAR & ATTACHING PARTS

Key	Description	Group
1	Lamp, Parking and Turn Signal	2.585
2	Bar, Front / Rear Bumper Primary	7.831
3	Brace, Front Bumper Centre	7.836
4	Washer, Front and Rear Bumper — Serrated	7.831
5	Bolt — 1/2 - 13 x 1 1/4	8.903
6	Bracket, Front Bumper To Frame	7.836
7	Washer, Front and Rear Bumper — Serrated	7.831
8	Brace, Front Bumper Outer — Lower	7.836
9	Bolt, Front Bumper Outer Lower Brace — 7/16 - 14 x 1	8.900

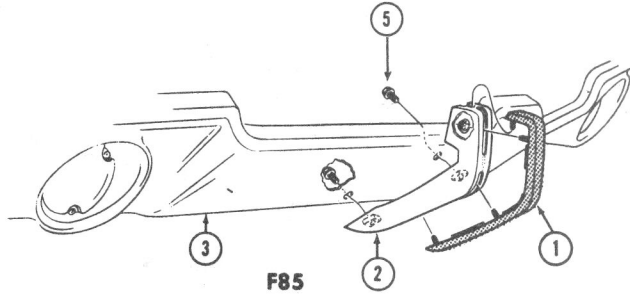
Key	Description	Group
10	Brace, Front Bumper Outer — Upper	7.836
11	Bolt, Front Bumper Outer Upper Brace — 7/16 - 14 x 1	8.903
12	Lamp, Rear License	2.700
13	Lamp, Back Up	2.697
14	Filler, Bumper To Fender — Rubber	7.831
15	Housing, Stop and Tail Lamp	2.680
16	Bracket, Rear Bumper To Frame	7.869
17	Brace, Rear Bumper Outer	7.836



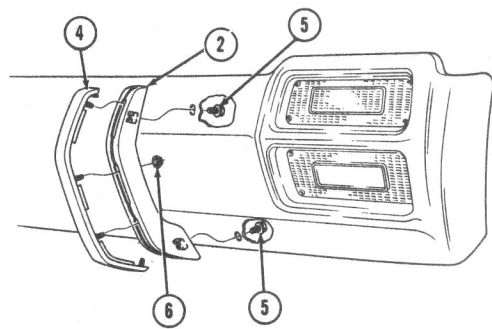
1970 BUMPER BAR & ATTACHING PARTS

Key	Description	Group
1	Bar, Front / Rear Bumper Primary	7.831
2	Lamp, Parking and Turn Signal	2.585
3	Bolt — 1/2 - 13 x 1 7/8	8.903
4	Brace, Front Bumper Centre	7.836
5	Bracket, Front Bumper To Frame	7.831
6	Washer, Front and Rear Bumper — Serrated	8.903
7	Bolt — 7/16 - 14 x 1	7.836
8	Brace, Front Bumper Outer — Upper	8.900
9	Bolt — 7/16 - 14 x 1	7.836
10	Brace, Front Bumper Outer — Lower	7.831

Key	Description	Group
11	Filler, Bumper To Fender — Rubber	7.831
12	Bracket, Rear Bumper To Frame	7.869
13	Bolt — 1/2 - 13 x 1 7/8	8.903
14	Lamp, Back Up — Complete	2.697
15	Housing, Stop and Tail Lamp	2.680
16	Lamp, Rear License	2.700
17	Brace, Rear Bumper Outer	7.836
18	Baffle, Rear Bumper To Body	7.831
19	Nut, U-Shape — No. 8-18	8.921



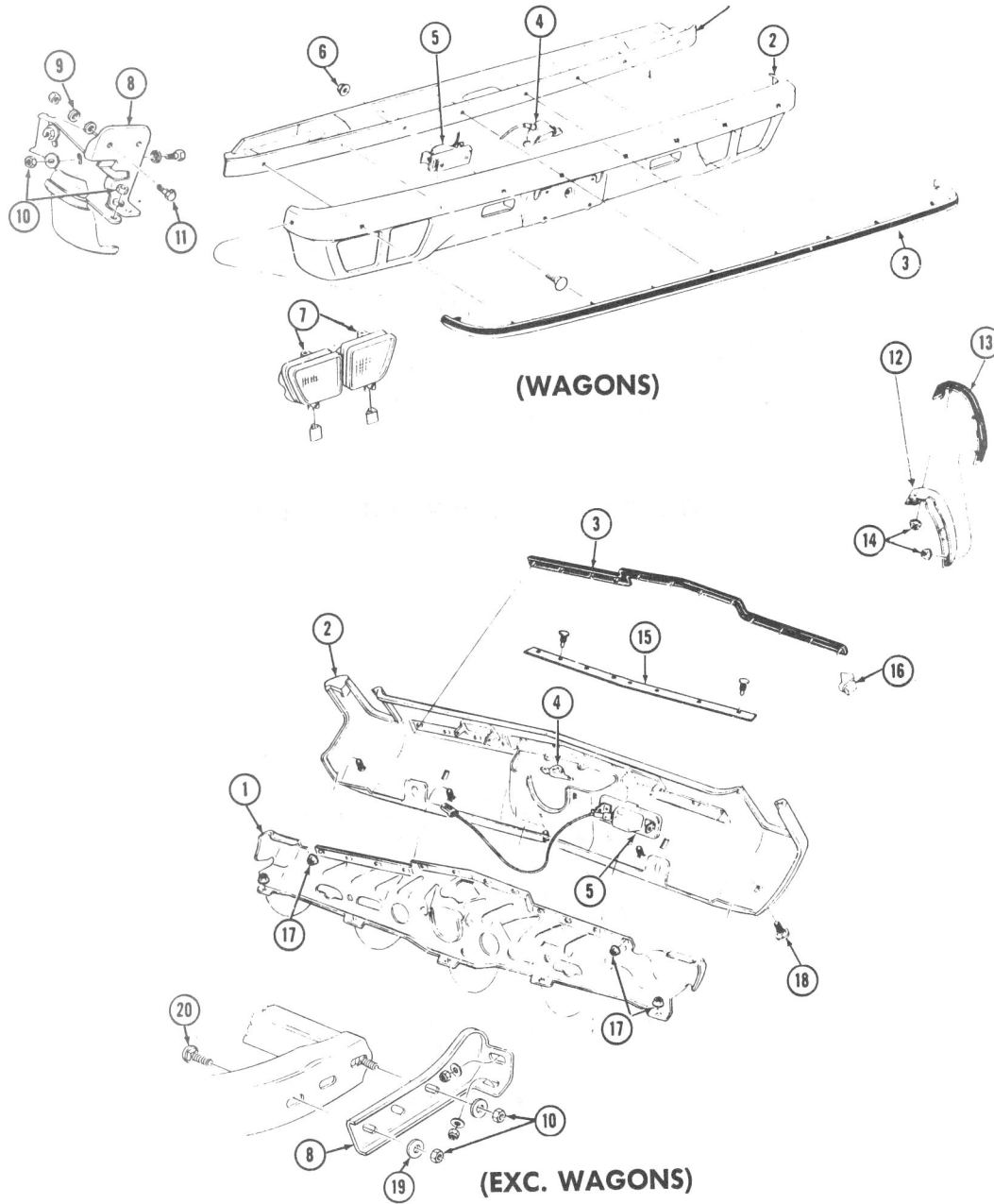
1972 FRONT BUMPER BAR INSERTS



F85 (EXC. S.W.)

1972 REAR BUMPER GUARD & INSERTS

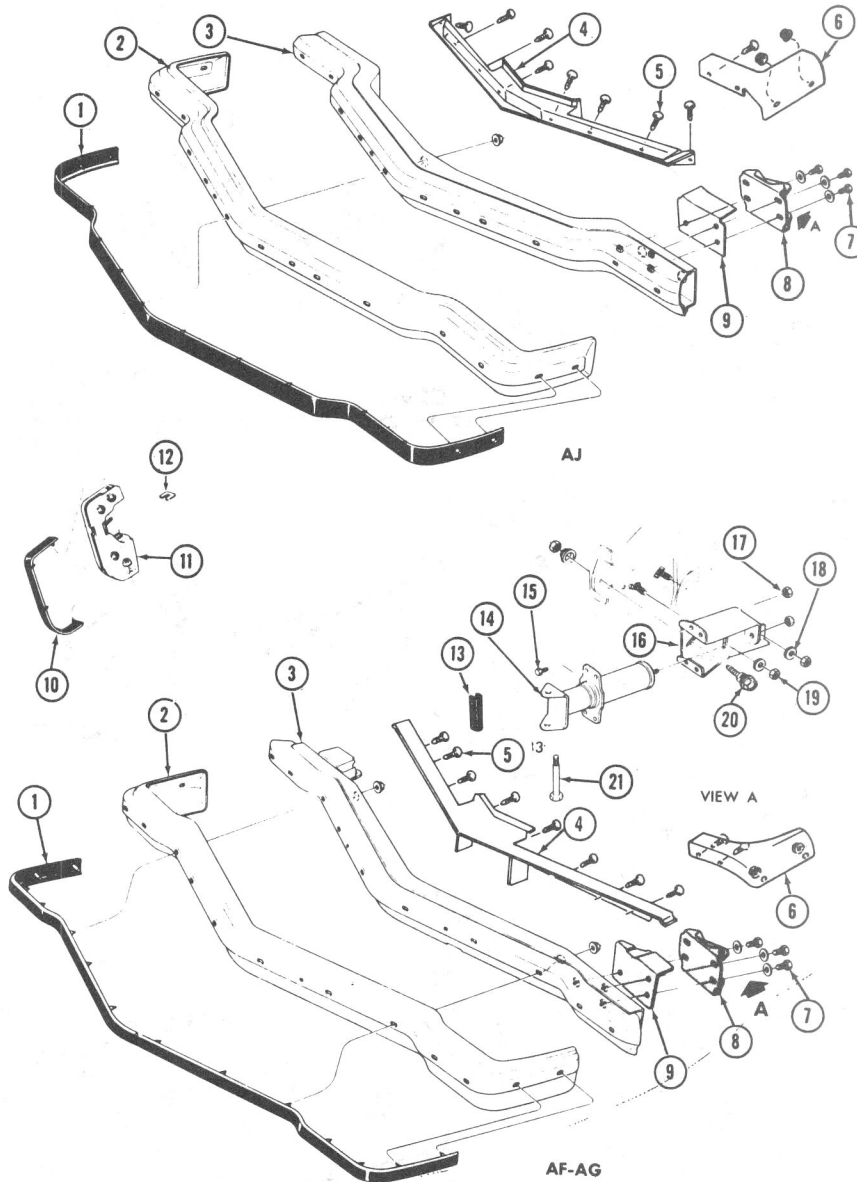
Key	Description	Group
1	Insert, Front Bumper Guard	7.828
2	Guard Assembly, Bumper	7.828
3	Bar, Front Bumper Primary	7.831
4	Insert, Rear Bumper Guard	7.828
5	Screw, Bumper Guard To Bumper	8.977
6	Nut, Insert To Guard	8.921



1973 REAR BUMPER DETAILS

Key	Description	Group
1	Reinforcement, Bumper	7.836
2	Bar, Rear Bumper Primary	7.831
3	Insert Assembly, Bumper Strip	7.828
4	Lamp, Rear License	2.700
5	Lamp, Back Up	2.697
6	Nut, Bumper Impact Strip	7.828
7	Lamp Assembly, Stop and Tail	2.679
8	Bracket, Rear Bumper To Frame	7.869
9	Washer, Rear Bumper To Frame Bracket	8.929
10	Nut, Rear Bumper To Frame Bracket	8.915

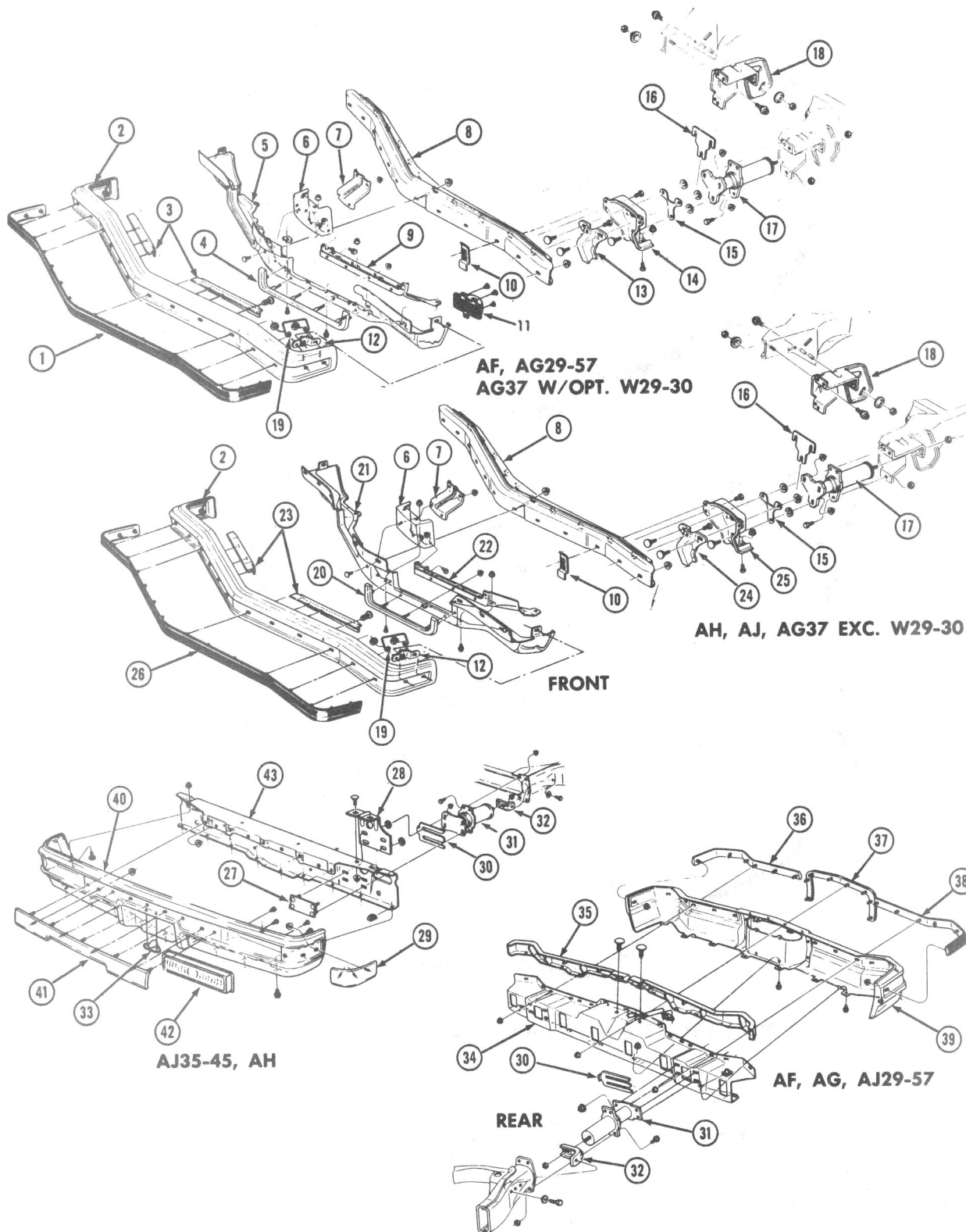
Key	Description	Group
11	Bolt, Rear Bumper Bracket	8.900
12	Guard Assembly, Bumper	7.828
13	Insert, Rear Bumper Guard	7.828
14	Nut, Insert To Guard	8.921
15	Filler, Rear Bumper To Body	7.834
16	Filler, Rear Bumper End Outer	7.831
17	Nut, Bumper Impact Strip	7.828
18	Bolt, Primary Bar To Reinforcement	8.900
19	Washer, Rear Bumper Frame Bracket	8.929
20	Bolt, Rear Bumper Frame Bracket	8.900



1973 FRONT BUMPER BAR & ATTACHING PARTS

Key	Description	Group
1	Insert Assembly, Bumper Strip	7.828
2	Bar, Front Bumper Primary	7.831
3	Reinforcement, Bumper	7.836
4	Filler, Bumper To Front End Panel	7.831
5	Clip, Front End Panel Filler	7.833
6	Support, Bumper Filler	7.831
7	Bolt, Front Bumper Bracket	7.831
8	Bracket, Front Bumper To Frame	7.836
9	Support, Bumper Filler	7.831
10	Insert Assembly, Front Bumper Guard	7.828
11	Guard Assembly, Bumper	7.828

Key	Description	Group
12	Shim, Front Bumper Guard — .50 Thick	N.L.
13	Spacer, Front Bumper Absorber	7.836
14	Shock Absorber, Front Bumper Energy	7.840
15	Bolt — 3/16 - 14 x 1	8.900
16	Bracket, Front Bumper Energy Absorber	7.836
17	Nut — 3/16	8.915
18	Lockwasher	8.932
19	Nut	8.900
20	Bolt, Front Bumper Bracket	7.831
21	Bolt, Front Bumper Absorber	7.836

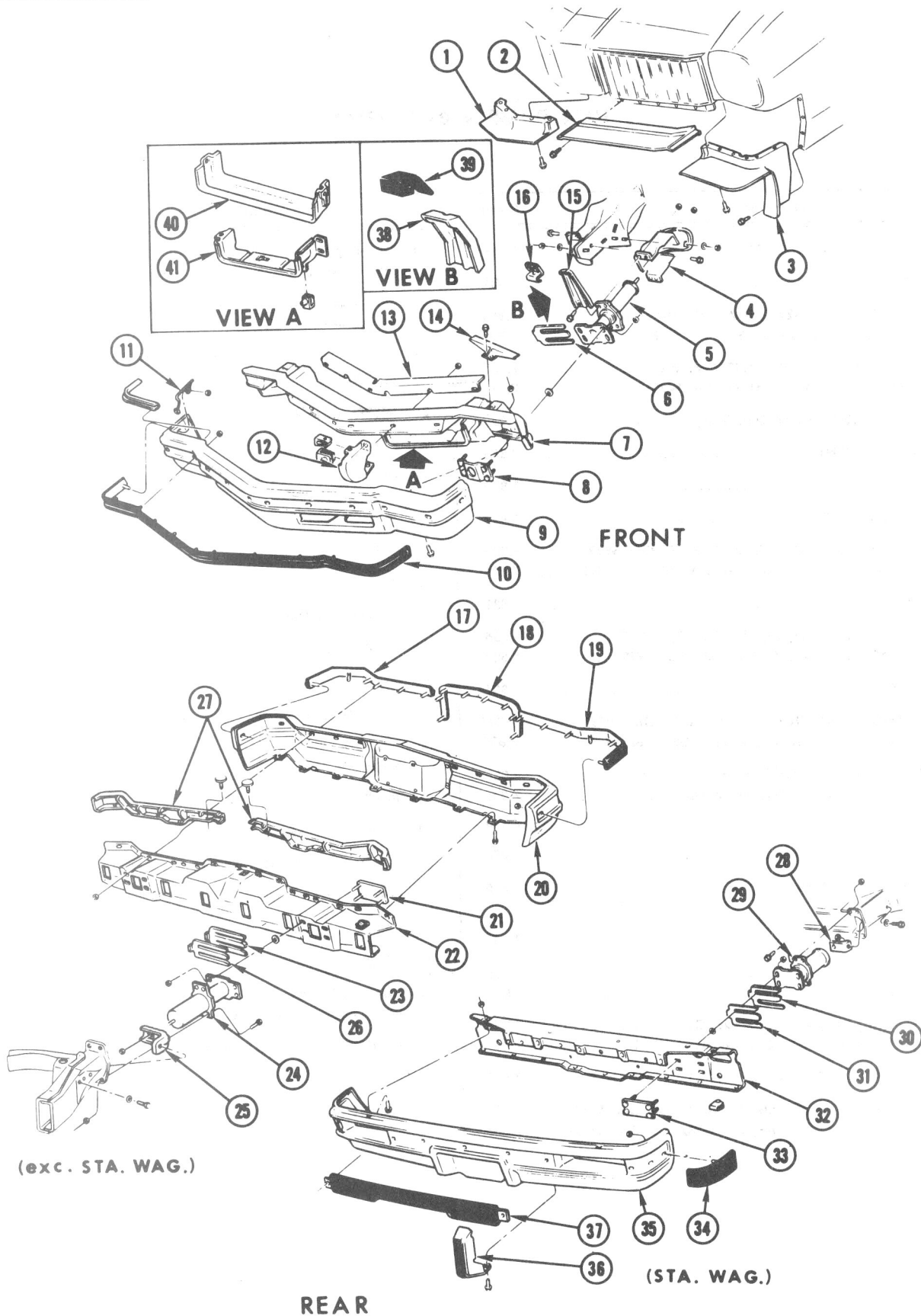


1974 BUMPER BAR DETAILS

1974 BUMPER BAR DETAILS

Key	Description	Group
1	INSERT (AF, AG, AJ29-57)	7.828
2	BAR	7.831
3	FILLER, RH (AF, AG29, AG37 Opt. W29)	1.266
	FILLER, LH (AF, AG29, AG37 Opt. W29)	1.266
4	INSERT, RH (AF, AG29, AG37 Opt. W29)	7.831
	INSERT, LH (AF, AG29, AG37 Opt. W29)	7.831
5	BAR (AF, AG29, AG37 Opt. W29)	7.831
6	REINFORCEMENT	7.836
7	SUPPORT	7.836
8	REINFORCEMENT	7.836
9	REINFORCEMENT, RH (AF, AG29, AG37 Opt. W29)	7.836
	REINFORCEMENT, LH (AF, AG29, AG37 Opt. W29)	7.836
10	NUT PLATE	7.831
11	LAMP ASSY., RH (AF, AG29, AG37 Opt. W29)	2.585
	LAMP ASSY., LH (AF, AG29, AG37 Opt. W29)	2.585
12	BRACKET	7.836
13	REINFORCEMENT, RH (AF, AG29, AG37 Opt. W29)	7.836
	REINFORCEMENT, LH (AF, AG29, AG37 Opt. W29)	7.836
14	BRACKET, RH (AF, AG29, AG37 Opt. W29)	7.836
	BRACKET, LH (AF, AG29, AG37 Opt. W29)	7.836
15	PLATE	7.836
16	SHIM	7.836
17	ENERGY ABSORBER	7.836
18	BRACKET, RH	7.836
	BRACKET, LH	7.836
19	SUPPORT, RH	7.831
	SUPPORT, LH	7.831
20	INSERT, RH (AH, AJ, AG37 exc. Opt. W29)	7.831
	INSERT, LH (AH, AJ, AG37 exc. Opt. W29)	7.831
21	BAR (AH, AJ, AG37 exc. Opt. W29)	7.831
22	REINFORCEMENT, RH (AH, AJ, AG37 exc. Opt. W29)	7.836
	REINFORCEMENT, LH (AH, AJ, AG37 exc. Opt. W29)	7.836

Key	Description	Group
23	FILLER, RH (AH, AJ35, AG37 exc. Opt. W29)	7.831
	FILLER, LH (AH, AJ35, AG37 exc. Opt. W29)	7.831
24	REINFORCEMENT, RH (AH, AJ, AG37 exc. Opt. W29)	7.836
	REINFORCEMENT, LH (AH, AJ, AG37 exc. Opt. W29)	7.836
25	BRACKET, RH (AH, AJ, AG37 exc. Opt. W29)	7.836
	BRACKET, LH (AH, AJ, AG37 exc. Opt. W29)	7.836
26	INSERT (AH, AJ35)	7.831
27	PLATE	7.836
28	PLATE, RH	7.836
	PLATE, LH	7.836
29	INSERT, RH	7.831
	INSERT, LH	7.831
30	SHIM	7.836
31	ENERGY ABSORBER	7.836
32	BRACKET ASSY.	7.836
33	LAMP	2.700
34	REINFORCEMENT (AF, AG, AJ29-57)	7.831
35	SUPPORT, RH	7.831
	SUPPORT, LH	7.831
36	INSERT, RH (AF, AG, AJ29-57)	7.831
37	INSERT (AF, AG, AJ29-57)	7.831
38	INSERT, LH (AF, AG, AJ29-57)	7.831
39	BAR (AF, AG, AJ29-57)	7.831
40	BAR (AH35, AJ35)	7.831
41	INSERT	7.831
42	LAMP ASSY., RH (AH, AJ35)	2.679
	LAMP ASSY., LH (AH, AJ35)	2.679
43	REINFORCEMENT (AH, AJ35)	7.831



1975 A FRONT AND REAR BUMPER BAR DETAILS

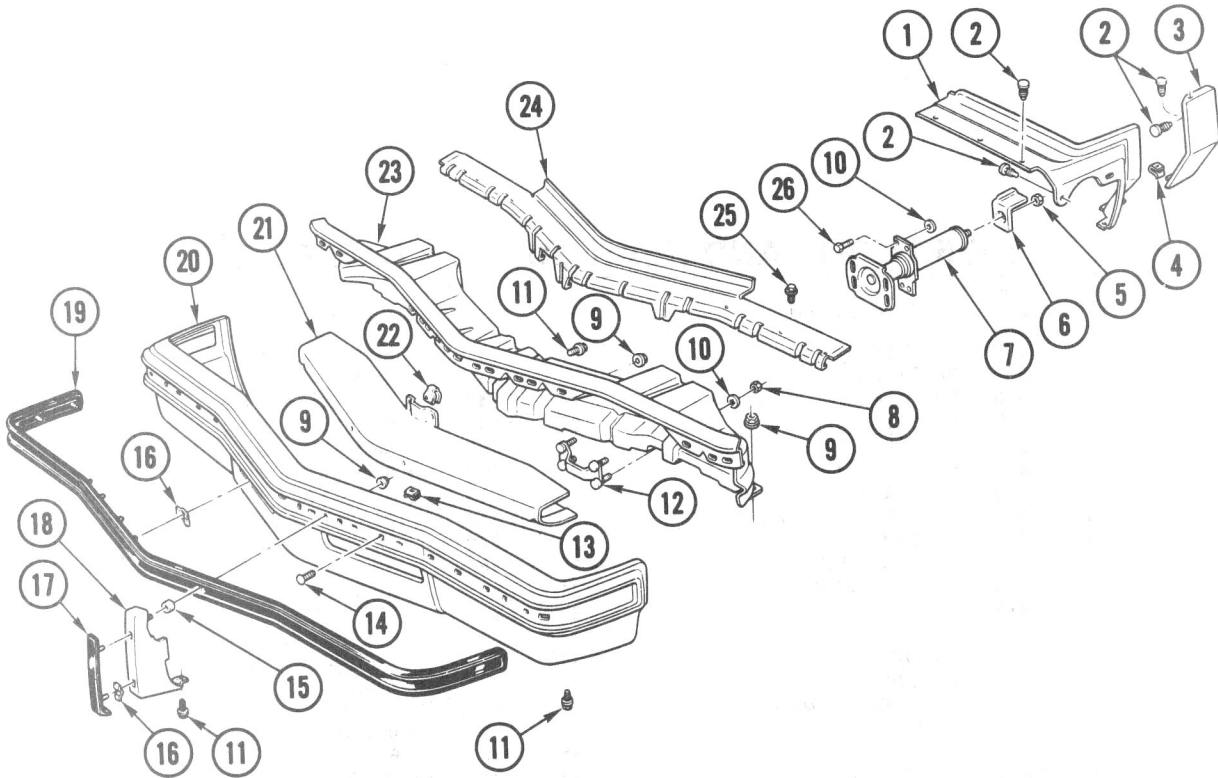


F85
OLDSMOBILE

PARTS CATALOGUE

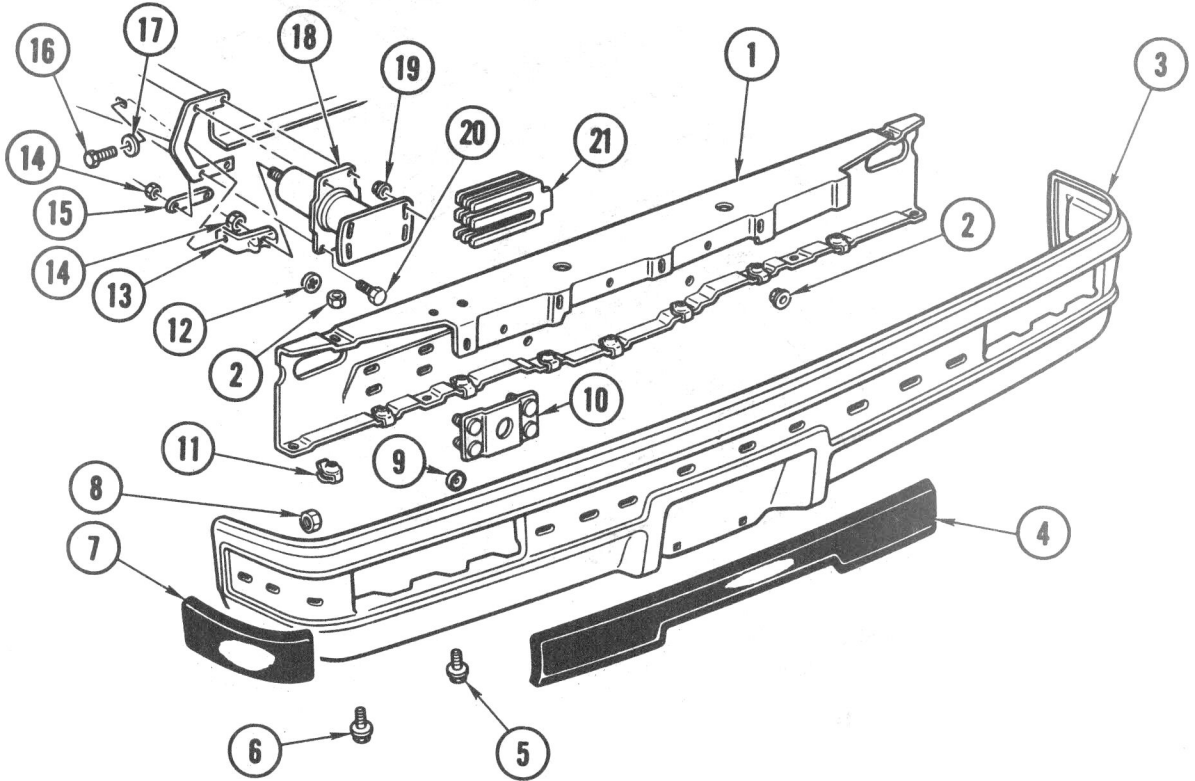
1975 FRONT AND REAR BUMPER BAR DETAILS

III. No.	Group No.	Qty.	Description	III. No.	Group No.	Qty.	Description
1	7.833		FILLER	22	7.831		REINFORCEMENT
2	7.833		RH FILLER	23	7.831		SHIM
	7.833		LH FILLER	24	7.840		ENERGY ABSORBER
3	7.831		RH FILLER	25	7.840		BRACKET ASM.
	7.831		LH FILLER	26	7.865		SHIM
4	7.840		RH BRACKET	27	7.833		RH SUPPORT
	7.840		LH BRACKET		7.833		LH SUPPORT
5	7.840		ENERGY ABSORBER	28	7.840		BRACKET ASSY.
6	7.836		SHIM	29	7.840		ENERGY ABSORBER
7	7.831		REINFORCEMENT	30	7.865		SHIM
8	7.836		PLATE ASSY.	31	7.831		SHIM
9	7.831		BAR	32	7.831		REINFORCEMENT
10	7.828		INSERT	33	7.840		PLATE ASM.
11	1.263		RH SUPPORT	34	7.828		RH INSERT (exc. VG8)
	1.263		LH SUPPORT		7.828		LH INSERT (exc. VG8)
12	7.831		REINFORCEMENT		7.828		RH INSERT (w/VG8)
13	7.836		SUPPORT		7.828		LH INSERT (w/VG8)
14	7.836		SUPPORT	35	7.831		BAR
15	7.836		RESTRICTOR	36	7.828		RH GUARD ASM.
16	7.869		BRACKET ASM.		7.828		LH GUARD ASM.
17	7.828		RH INSERT	37	7.828		LH GUARD ASM.
18	7.828		INSERT	38	7.836		RESTRICTOR
19	7.828		LH INSERT	39	7.836		PAD
20	7.831		BAR	40	7.832		RH LINER
21	7.840		PLATE ASM.		7.832		LH LINER
				41			RH REINFORCEMENT ASM.
							LH REINFORCEMENT ASM.



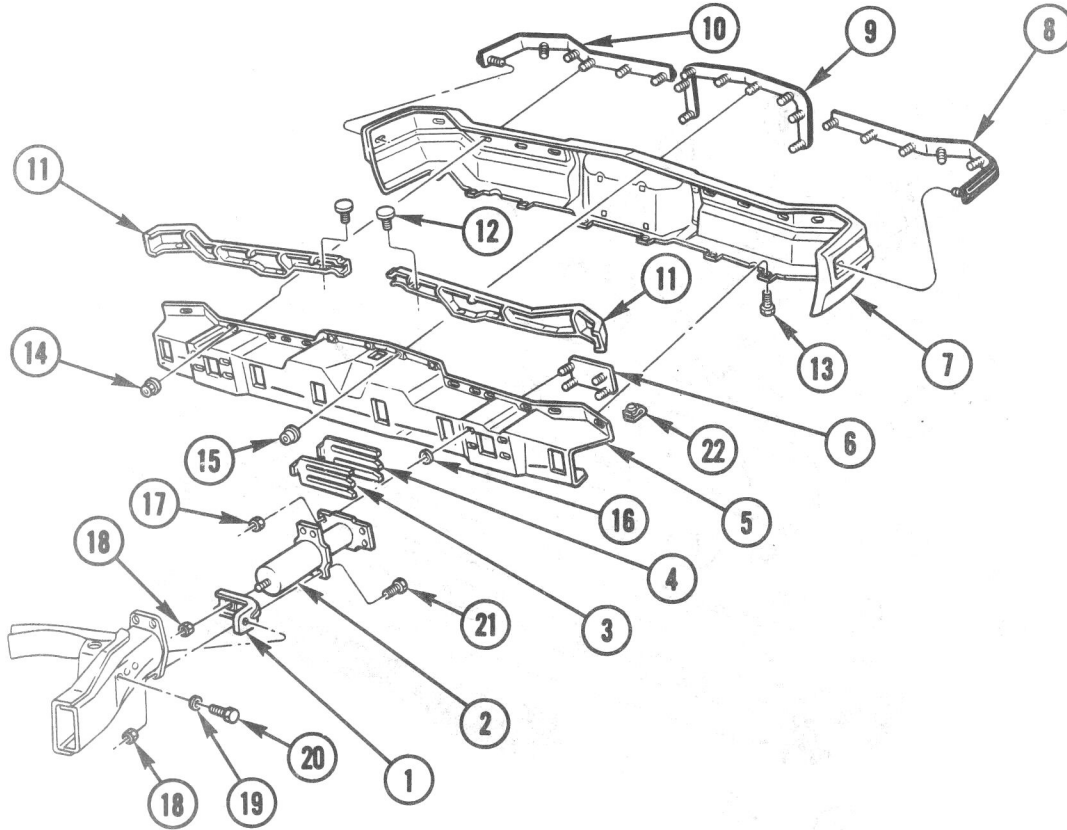
1976 FRONT BUMPER DETAILS

1. FILLER, Primary Bar Outer	7.833
2. CLIP, Grille to Bumper Center Filler	7.833
3. FILLER, Bpr. to Frt. Fdr. Outer	7.831
4. CLIP, Bumper Filler	7.833
5. NUT, 7/16"—14	8.915
6. BRACKET, Frt. Abs.	7.840
7. ABSORBER, Frt.	7.840
8. NUT, 7/16"—14	7.874
9. NUT, 3/8"—16	7.874
10. NUT, 7/16", Spring Push On	8.921
11. BOLT, 3/8"—16 x 1"	8.900
12. PLATE, Stud-Abs. to Bpr.	7.840
13. NUT	7.874
14. BOLT, 3/8"—16 x 1"	7.874
15. SPACER, Guard to Frt. Bpr.	7.828
16. CLIP, Insert to Bpr. Guard	7.831
17. CUSHION, Frt. Bpr. Guard	7.828
18. GUARD ASM., Frt.	7.828
19. CUSHION, Impact Strip	7.831
20. BAR, Primary	7.831
21. REINFORCEMENT, Lower	7.831
22. NUT, 3/8"—16	7.874
23. REINFORCEMENT	7.831
24. FILLER, Frt. Bpr. Primary Bar Center	7.831
25. SCREW, 5/16"—12 x 5/8"	8.977
26. BOLT, 7/16"—14 x 1"	8.900



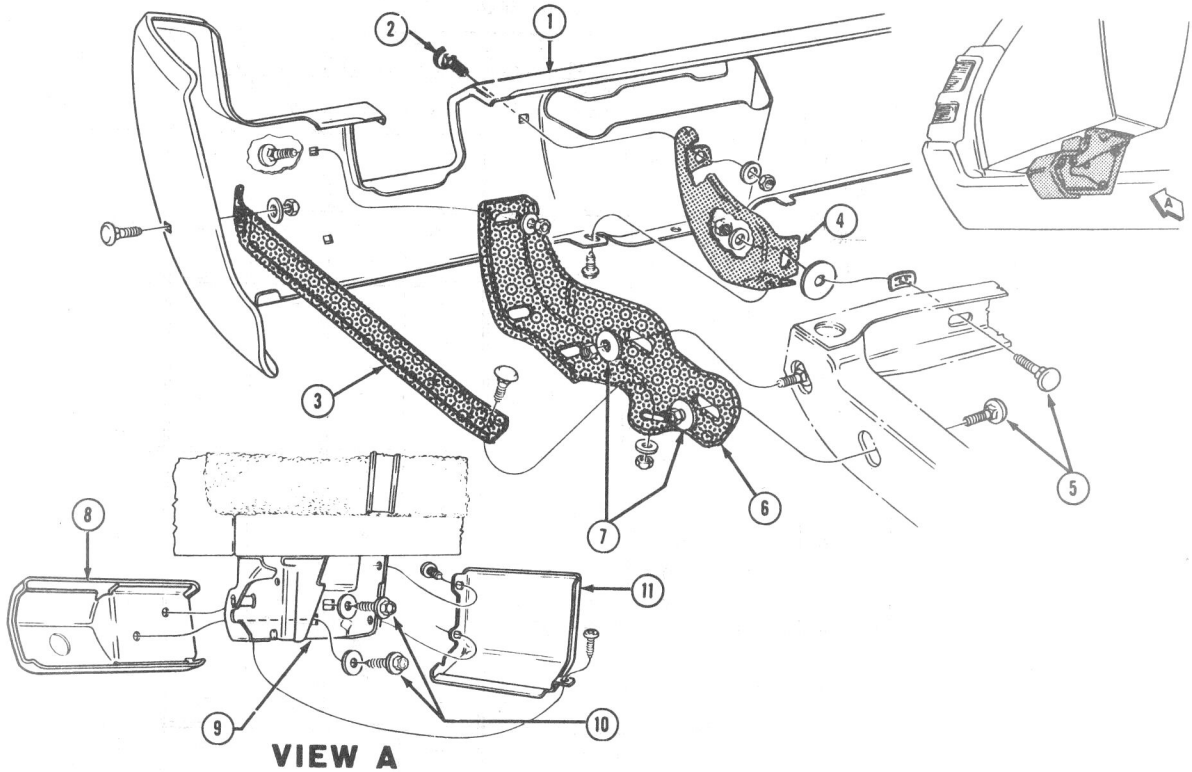
1976 "A35" REAR BUMPER

1. REINFORCEMENT, Rr. Bpr.	7.836
2. NUT, Hex. (7/8"-16)	6.760
3. PLATE (Bar) Rr. Bpr. Face	7.831
4. CUSHION, Center	7.828
5. BOLT (7/8"-16 x 3/4")	8.900
6. BOLT (7/8"-16 x 1 1/4")	7.874
7. CUSHION, Outer	7.828
8. NUT, Stamped (1/4"-20)	8.921
9. RETAINER (Nut) (7.828)	4.658
10. PLATE, Bpr. Mtg.	7.840
11. NUT, U-Type	7.874
12. NUT, Push	N.S.
13. BRACKET, E/A Unit	7.840
14. NUT, Hex. (7/16"-14)	8.917
15. PLATE, E/A Unit Brkt.	7.840
16. BOLT, Hex. (7/16"-14 x 1 1/4")	8.900
17. WASHER, Flat	8.929
18. ABSORBER, Rr. Bpr. Energy	7.840
19. NUT, Hex. (.437"-14)	7.874
20. BOLT, Hex. (7/16"-14 x 1")	8.900
21. SHIM, E/A Unit	7.865



1976 "AG29, AJ29" REAR BUMPER DETAILS

1. BRACKET, Rr. Abs. to Frame	7.840
2. ABSORBER	7.840
3. SHIM, 1/8"	7.865
4. SHIM, Shk. Abs. to Reinf.	7.865
5. REINFORCEMENT, Rear Bar	7.831
6. PLATE, Reinf. to Rr. Abs.	7.840
7. BAR, Primary	7.831
8. CUSHION, Impact Strip	7.831
9. CUSHION, Impact Strip, Center	7.831
10. CUSHION, Impact Strip	7.831
11. SUPPORT, Rr. Bpr. Filler	7.833
12. RETAINER, Rr. Support	12.801
13. BOLT, 3/8"—16 x 1"	8.900
14. NUT, 3/8"—16	8.915
15. NUT, 1/4"—20	8.915
16. NUT, 7/16"	8.921
17. NUT, Abs. to Reinf.	7.874
18. NUT, 7/16"—14	8.915
19. WASHER, 7/16"	8.154
20. BOLT, 7/16" x 1"	7.009
21. BOLT, 7/16"—14 x 1"	8.906
22. NUT, Reinf. to Primary Bar	7.874



**1969 DUAL ACTION TAILGATE BUMPER BAR & ATTACHING PARTS
(TYPICAL OF 1970-72)**

Key	Description	Group
1	Bar, Rear Bumper Primary	7.831
2	Bolt — $\frac{3}{16}$ - 14 x 1	8.903
3	Brace, Rear Bumper Outer	7.836
4	Support, Rear Bumper Centre	7.836
5	Bolt — $\frac{3}{16}$ - 14 x 1	8.903
6	Bracket, Rear Bumper To Frame	7.869
7	Washer, Front and Rear Bumper — Serrated	7.831
8	Cover, Rear Bumper Step	7.875
9	Bracket (Fisher Installed)	N.S.S.
10	Screw — $\frac{5}{16}$ - 12 x $\frac{7}{8}$	8.977
11	Cover, Tail Gate Lower Lock	12.242

N.S.S.—Not Serviced Separately.

CODE	PART NUMBER
RO	400337
RK	400335
RD	400333
ED	409715
EA	406361
S7	401173
R7	406361
SN	401174
R5	402061
SH	400980
LY	400881
LU	400880
LX	400874
LI	400867
LG	400865
LR	400883

FRONT SPRING CHART										
SERIES	MODEL	SIDE	FE2 (442 SUSP.)		F41 (HEAVY DUTY)		Y79 (455 ENG.)		C60 (A/C)	3C (STD.)
			EXC. C60	C60	EXC. C60	C60	EXC. C60	C60		
33100	69	BOTH	—	—	R5	S7	—	—	LX	LI
	(L6) 87	BOTH	—	—	R5	RD	—	—	LX	LG
33200	69	BOTH	—	—	SN	R7	—	—	SH	LR
	(V8) 87	BOTH	RD	RK	SN	R7	—	—	LR	LX
33500 (L6)	36	L.H.	—	—	R5	S7	—	—	LI	LG
		R.H.	—	—	R5	R5	—	—	LG	LG
	69	BOTH	—	—	S7	S7	—	—	LX	LI
	77	BOTH	—	—	R5	S7	—	—	LX	LG
	87	BOTH	—	—	R5	S7	—	—	LX	LG
33600 (V8)	36	L.H.	—	—	S7	R7	—	—	LR	LY
		R.H.	—	—	R5	S7	—	—	LY	LU
	69	BOTH	—	—	SN	R7	—	—	SH	LR
	77	BOTH	RD	RK	SN	R7	—	—	SH	LR
	87	BOTH	RD	RK	SN	R7	—	—	SH	LR
34200 (V8)	39	BOTH	—	—	R7	EA	—	—	SH	SH
	57	BOTH	RD	RK	SN	R7	LR	SH	SH	LR
	67	BOTH	RK	RO	SN	R7	LR	R7	SH	LR
34400 (V8)	67	BOTH	—	—	—	—	—	—	RO	RK
	87	BOTH	—	—	—	—	—	—	RO	RK
34800 (V8)	56	L.H.	—	—	R7	ED	R7	EA	R7	SH
		R.H.	—	—	SN	R7	S7	SN	SN	LY
	66	L.H.	—	—	EA	ED	R7	EA	R7	SH
		R.H.	—	—	SN	EA	S7	R7	SN	LY

1971 FRONT SPRING CHART



REAR SPRING CHART									
SERIES	MODEL	SIDE	FE2 (442 SUSP.)		F41 (HEAVY DUTY)		M40 3 SPD. AMT	C60 Y79	4B STD. CAR
			EXC. M38/M40	M38/M40	EXC. C60/Y79	C60/Y79			
33100 (L6)	69	BOTH	—	—	PL	PL	SAME AS STD. CAR	NO	NM
	87	BOTH	—	—	PL	PL		NO	NO
33200 (V8)	69	BOTH	—	—	NX	PL		NM	NM
	87	BOTH	N4	PP	PL	PL		NO	NO
33500 (L6)	36	BOTH	—	—	ZJ	ZJ		NH	NH
	69	BOTH	—	—	PL	PL		NO	NM
	77	BOTH	—	—	PL	PL		NO	NO
	87	BOTH	—	—	PL	PL		NO	NO
33600 (V8)	36	BOTH	—	—	ZJ	ZJ		NH	NH
	69	BOTH	—	—	NX	PL		NM	NM
	77	BOTH	N4	PP	PL	PL		NO	NO
	87	BOTH	N4	PP	PL	PL		NO	NO
34200 (V8)	39	BOTH	—	—	NX	PL		NM	NM
	57	BOTH	N4	PP	PL	PL		NO	NO
	67	BOTH	N4	PP	PL	PL	NO	NM	
34400 (V8)	67	BOTH	—	—	—	—	PP	N4	N4
	87	BOTH	—	—	—	—	PP	N4	N4
34800 (V8)	56	BOTH	—	—	ZJ	ZJ	SAME AS STD. CAR	NH	NH
	66	BOTH	—	—	ZJ	ZJ		P7	P7

CODE	NUMBER
ZJ	9798467
N4	9792801
P7	9792943
NH	9792943
NX	9792855
PL	9787044
PP	9788589
NM	9787046
NO	9787046

1971 REAR SPRING CHART

1972 FRONT SPRING CHART

CODE	SPRING
RP	401421
RO	400337
RM	400997
RK	400335
RI	400333
RD	400333
ED	409715
EC	409714
EA	406361
R7	406361
SK	401174
SF	400980
SC	400975
R5	402061
SH	400885
SE	400883
LY	400881
LU	400880
LA	400876
LZ	400875

FRONT SUSPENSION SPRING CHART

SERIES	MODEL	CAR SIDE	FE2 (4-4-2 SUSP.)			F41 (HEAVY DUTY)			L75, 77 (455 ENGINE)			
			EXC. L75, 77 OR C60	L75, 77 OR C60	L75, 77 AND C60	EXC. L75, 77 OR C60	L75, 77 OR C60	L75, 77 AND C60	EXC. C60	C60	C60 (A/C)	3C (STD.)
33200	69	BOTH	—	—	—	SK	R7	EA	SF	R7	SF	LA
	87	BOTH	RD	RM	RP	SK	SK	EA	SF	SK	SF	LZ
33600	36	L.H.	—	—	—	SF	R7	EA	SF	R7	SF	SC
		R.H.	—	—	—	R5	SF	SK	LY	SF	LY	LU
33600	69	BOTH	—	—	—	SK	R7	EA	SF	R7	SF	LA
	77	BOTH	RD	RM	RP	SK	SK	EA	SE	R7	SF	LZ
	87	BOTH	RD	RM	RP	SK	SK	EA	SE	R7	SF	LZ
34200	39	BOTH	—	—	—	SK	R7	EC	SH	EA	SH	LA
	57	BOTH	RI	RM	RP	SK	SK	EA	SF	R7	SF	LA
	67	BOTH	RK	RO	RP	SK	R7	EC	SH	EA	SH	LA
34800	56	L.H.	—	—	—	EA	EC	ED	EA	EC	EA	SH
		R.H.	—	—	—	SK	R7	EA	SK	R7	SK	SC
34800	66	L.H.	—	—	—	EA	EC	ED	EA	EC	EA	SH
		R.H.	—	—	—	SK	R7	EA	SK	R7	SK	SC

CODE	PART NUMBER
ZJ	9798467
HC	9792804
N4	9792801
HY	479866
P7	9792943
NH	9792943
PE	9787053
NX	9792855
PL	9787044
N5	9793156
HR	9788590
NK	9788448
NS	9787046
NM	9787046
NO	9787046

1972 REAR SPRING CHART

REAR SUSPENSION SPRING CHART										
SERIES	MODEL	CAR SIDE	FE2 (4-4-2 SUSP.)		F41 (HEAVY DUTY)		L75, 77 (455 ENGINE)		C60 (A/C)	4B (STD. CAR)
			EXC. M38/M40	M38/M40	EXC. C60	C60	EXC. C60	C60		
33200	69	BOTH	—	—	NX	PL	NS	NM	NO	NM
	87	BOTH	HY	NK	PL	N5	NM	NO	NO	NO
33600	36	BOTH	—	—	HC	HC	NH	NH	PE	PE
	69	BOTH	—	—	NR	PL	NS	NM	NM	NM
	77	BOTH	HY	NK	PL	N5	NM	NO	NO	NO
	87	BOTH	HY	NK	PL	N5	NM	NO	NO	NO
34200	39	BOTH	—	—	NX	NX	NS	NS	NM	NS
	57	BOTH	HY	NK	PL	N5	NM	NO	NO	NO
	67	BOTH	N4	HR	PL	N5	NM	NO	NO	NM
34800	56	BOTH	—	—	HC	HC	NH	NH	PE	PE
	66	BOTH	—	—	ZJ	ZJ	P7	P7	NH	NH



1973 FRONT SPRING CHART

CODE	PART NUMBER
JX	3988137
JA	3988137
JW	3988135
BZ	3988135
BV	3988133
DU	3988133
BL	3988126
BK	3988118
BJ	
BH	462509
BG	462509
BF	462509
GM	3988106
GL	3988104
YR	3988104
HZ	3982354

FRONT SUSPENSION SPRING CHART

Series	Model	Car Side	Exc. L75 or C60	L75 or C60	L75 & C60	Exc. C60	C60	C60	Std.
AF00	37	Both	BV	BZ	JW	BG	BJ	BG	YR
AG00	29	Both	BV	BZ	JA	BH	BK	BH	GL
	37	Both	BV	BZ	JA	BH	BJ	BH	GL
AJ00	29	Both	BV	BZ	JA	BH	BK	BH	GL
	35	LH	BV	JW	JA	BJ	BK	BJ	GL
	35	RH	DU	BV	BZ	BF	BH	BF	HZ
	57	Both	BV	BZ	JA	BG	BJ	BH	GL



CODE	PART NUMBER
TH	485688
TG	485687
WV	484799
WU	485738
ZZ	485738
ZX *	485722
TF	485721
WS	485722
WR *	N.L.A.

1973 REAR SPRING CHART

* Use Code TF for Service.

REAR SUSPENSION SPRING CHART									
Series	Model	Car Side	FE2 (442 Susp.)		F41 (Heavy Duty)		L75	C60	Std.
			Exc. L75	L75	Exc. C60 or L75	C60 or L75			
AF00	37	Both	ZZ	ZZ	WU	ZZ	WR	WR	WR
AG00	29	Both	—	—	WU	ZZ	TF	TF	ZX
	37	Both	ZZ	ZZ	WU	ZZ	WR	WR	WR
AJ00	29	Both	—	—	WU	ZZ	TF	TF	ZX
	35	² Seat Both	—	—	TG	TG	TG	TG	TG
	35	³ Seat Both	—	—	TH	TH	TH	TH	TH
	57	Both	ZZ	ZZ	WU	ZZ	WR	WR	WR

1974 FRONT SPRINGS

MODELS		AF37	AG29	AG37	AH35	AJ29	AJ35	AJ57	
350 ENG	STD. HEATER	STD. SUSP.	3988116-RH 3988116-LH	3988116-RH 3988125-LH	3988116-RH 3988116-LH	3988114-RH 3988125-LH	3988116-RH 3988124-LH	3988114-RH 3988125-LH	3988116-RH 3988116-LH
		STD. SUSP. (F41, FE2)	3988135-LH 3988135-RH	3988135-LH 3988135-RH	3988135-LH 3988135-RH	3988146-LH 3988133-RH	3988146-LH 3988135-RH	3988146-LH 3988133-RH	3988135-LH 3988135-RH
	A/C	STD. SUSP.	3988125-LH 3988116-RH	3988125-LH 3988125-RH	3988125-LH 3988116-RH	3988125-LH 3988116-RH	3988125-LH 3988125-RH	3988125-LH 3988116-RH	3988125-LH 3988116-RH
		HD. SUSP. (F41, FE2)	3988146-LH 3988135-RH	3988146-LH 3988135-RH	3988146-LH 3988135-RH	3988147-LH 3988135-RH	3988147-LH 3988146-RH	3988147-LH 3988135-RH	3988146-LH 3988135-RH
455 ENG	STD. HEATER	STD. SUSP.	3988125-LH 3988116-RH	3988125-LH 3988125-RH	3988125-LH 3988116-RH	3988125-LH 3988116-RH	3988125-LH 3988125-RH	3988125-LH 3988116-RH	3988125-LH 3988116-RH
		HD. SUSP. (F41, FE2, W30)	3988146-LH 3988135-RH	3988146-LH 3988135-RH	3988146-LH 3988135-RH	3988147-LH 3988135-RH	3988147-LH 3988146-RH	3988147-LH 3988135-RH	3988146-LH 3988135-RH
	A/C	STD. SUSP.	3988125-LH 3988125-RH	3988126-LH 3988125-RH	3988126-LH 3988125-RH	3988139-LH 3988125-RH	3988139-LH 3988126-RH	3988139-LH 3988125-RH	3988126-LH 3988125-RH
		HD. SUSP. (F41, FE2, W30)	3988147-LH 3988146-RH	3988147-LH 3988146-RH	3988147-LH 3988146-RH	3988148-LH 3988135-RH	3988148-LH 3988146-RH	3988157-LH 3988146-RH	3988147-LH 3988146-RH

1974 REAR SPRINGS

MODELS		AF37	AG29	AG37	AH35	AJ29	AJ35	AJ57	
350 ENG	STD. HEATER	STD. SUSP.	485721	485722	485721	485680	485722	485680	485721
		STD. SUSP. (F41, FE2)	485738	484799	485738	485680	484799	485680	485738
		3RD SEAT (Y65)				485682		485682	
	A/C	STD. SUSP.	485721	485722	485721	485680	485722	485680	485721
		HD. SUSP. (F41, FE2)	485738	485738	485738	485680	484799	485680	485738
		3RD SEAT (Y65)				485682		485682	
455 ENG	STD. HEATER	STD. SUSP.	485721	485722	485722	485682	485722	485682	485721
		HD. SUSP. (F41, FE2, W30)	485738	484799	485738	485682	484799	485682	485738
		3RD SEAT (Y65)				485682		485682	
	A/C	STD. SUSP.	485721	485722	485722	485682	485722	485682	485721
		HD. SUSP. (F41, FE2, W30)	485738	485738	485738	485682	485738	485682	485738
3RD SEAT (Y65)				485682		485682			



1975 SPRING CHARTS

Follow the three steps below to utilize the 1975 spring charts.

1. Select the model desired with the base spring weight on Chart "A".
2. Then select options accordingly shown on Chart "B" and add that weight to the base spring weight.
3. Once accumulated weight has been determined refer to chart "C" and select correct spring.

1975 F-85 (Sedans)

CHART A

MODEL		LH FRONT	RH FRONT	LH REAR	RH REAR
AG-29	Colonade Hardtop Coupe	1107	1037	866	866
AJ-29	Cutlass Supreme Colonade Hardtop Sedan	1115	1045	882	882
AK-29	Salon Hardtop Sedan	1204	1134	909	909

CHART B

PRODUCTION OPTION		LH FRONT	RH FRONT	LH REAR	RH REAR
AG1	Electric 6-Way Seat	5	5	5	5
AR9	Contour Reclining Seat	5	5	3	3
C60/C65	Air Conditioning	54	54	0	0
JL2	Power Disc Brakes	8	8	0	0
K19	Air Injection System	8	8	0	0
LV8/L34	260/350 V8 Engine	75	75	6	6
L74	455 V8 Engine	93	93	13	13
M38/M40	Turbo Hydramatic Transmission	20	20	10	10
UM1	Radio	7	7	3	3
W30	Hurst Package	18	18	14	14
Y72	Heavy Duty Cooling	12	12	0	0

CHART C (Standard Suspension)

FRONT WEIGHT			SPRING NUMBER	REAR WEIGHT			SPRING NUMBER
FR78 Tire	GR78 Tire	HR78 Tire HR70		FR78 Tire	GR78 Tire	HR78 Tire HR70	
0-1075	0-1090	0-1115	3988111	0- 860	0- 860	0- 850	485719
1076-1125	1091-1140	1116-1165	3988113	861- 930	861- 930	851- 895	485721
1126-1175	1141-1190	1165-1215	462509	931-Over	931-Over	896- 965	485722
1176-1245	1191-1260	1216-1285	462509			966-Over	482062
1246-1295	1261-Over	1286-Over	3988125				
1296-Over			3988126				

CHART C (Heavy Duty Suspension)

FRONT WEIGHT			SPRING NUMBER	REAR WEIGHT			SPRING NUMBER
FR78 Tire	GR78 Tire	HR78 Tire HR70		FR78 Tire	GR78 Tire	HR78 Tire HR70	
0-1110	0-1125	0-1150	3988131	0- 850	0- 850	0- 865	485736
1111-1190	1126-1205	1151-1230	3988133	851- 920	851- 920	866- 955	485738
1191-1250	1206-1270	1231-1290	3988135	921-Over	921-Over	956-Over	485740
1251-Over	1271-Over	1291-Over	3988146				

1975 SPRING CHARTS

Follow the three steps below to utilize the 1975 spring charts.

1. Select the model desired with the base spring weight on Chart "A".
2. Then select options accordingly shown on Chart "B" and add that weight to the base spring weight.
3. Once accumulated weight has been determined refer to chart "C" and select correct spring.

1975 F-85 (Coupes)

CHART A

MODEL	LH FRONT	RH FRONT	LH REAR	RH REAR
AF-37 Colonade Hardtop Coupe	1086	1016	849	849
AG-37 Cutlass S Colonade Hardtop Coupe	1092	1022	848	848
AJ-57 Cutlass Supreme Colonade Hardtop Coupe	1092	1092	855	855
AK-57 Salon Hardtop Coupe	1182	1112	884	884

CHART B

PRODUCTION OPTION	LH FRONT	RH FRONT	LH REAR	RH REAR
AG1 Electric 6-Way Seat	5	5	5	5
AR9 Contour Reclining Seat	5	5	3	3
C60/C65 Air Conditioning	54	54	0	0
JL2 Power Disc Brakes	8	8	0	0
K19 Air Injection System	8	8	0	0
LV8/L34 260/350 V8 Engine	75	75	6	6
L74 455 V8 Engine	93	93	13	13
M38/M40 Turbo Hydramatic Transmission	20	20	10	10
UM1 Radio	7	7	3	3
W30 Hurst Package	18	18	14	14
Y72 Heavy Duty Cooling	12	12	0	0

CHART C (Standard Suspension)

FRONT WEIGHT			SPRING NUMBER	REAR WEIGHT			SPRING NUMBER
FR78 Tire	GR78 Tire	HR78 Tire HR70		FR78 Tire	GR78 Tire	HR78 Tire HR70	
0-1050	0-1065	0-1095	3988111	0- 860	0- 860	0- 850	485719
1051-1100	1066-1115	1096-1145	3988113	861- 930	861- 930	851- 895	485721
1101-1155	1116-1175	1146-1195	462509	931-Over	931-Over	896- 965	485722
1156-1220	1176-1235	1196-1265	462509			966-Over	482062
1221-1275	1236-1290	1266-Over	3988125				
1276-Over	1291-Over		3988126				

CHART C (Heavy Duty Suspension)

FRONT WEIGHT			SPRING NUMBER	REAR WEIGHT			SPRING NUMBER
FR78 Tire	GR78 Tire	HR78 Tire HR70		FR78 Tire	GR78 Tire	HR78 Tire HR70	
0-1085	0-1100	0-1125	3988131	0- 850	0- 850	0- 865	485736
1086-1165	1101-1180	1125-1205	3988133	851- 920	851- 920	866- 955	485738
1166-1225	1181-1240	1206-1250	3988135	921-Over	921-Over	956-Over	485740
1226-Over	1241-Over	1251-Over	3988146				

1975 SPRING CHARTS

Follow the three steps below to utilize the 1975 spring charts.

1. Select the model desired with the base spring weight on Chart "A".
2. Then select options accordingly shown on Chart "B" and add that weight to the base spring weight.
3. Once accumulated weight has been determined refer to chart "C" and select correct spring.

1975 F-85 (Station Wagons)

CHART A

MODEL	LH FRONT	RH FRONT	LH REAR	RH REAR
AH-35 Cutlass Supreme Station Wagon	1121	1121	1124	1124
AJ-35 Cutlass Supreme Vista Cruiser	1121	1121	1127	1127

CHART B

PRODUCTION OPTION	LH FRONT	RH FRONT	LH REAR	RH REAR
AG1 Electric 6 Way Seat	5	5	5	5
AQ4 Third Seat	0	0	17	17
C60/C65 Air Conditioning	54	54	0	0
LV8/L34 260/350 V8 Engine	75	75	6	6
L74 455 Engine	93	93	13	13
M38/M40 Turbo Hydramatic Transmission	20	20	10	10
UM1 Radio	7	7	3	3
V55 Luggage Carrier	0	0	9	9
Y72 Heavy Duty Cooling	12	12	0	0

CHART C (Standard Suspension)

FRONT WEIGHT	SPRING NUMBER
0-1100	3988111
1101-1150	3988113
1151-1200	462509
1201-1265	462509
1266-Over	3988125

REAR WEIGHT	SPRING NUMBER
0-1125	485680
1126-1210	485682
1211-Over	485684
—	—
—	—

CHART C (Heavy Duty Suspension)

FRONT WEIGHT	SPRING NUMBER
0-1140	3988131
1141-1220	3988133
1221-1275	3988135
1276-Over	3988146

REAR WEIGHT	SPRING NUMBER
0-1130	485687
1131-1220	485689
1221-Over	485691

1976 A BODY — COUPES AND SEDANS SPRING CHART

Follow the four steps below to utilize the 1976 Spring Chart:

1. Select the Model desired with the weight on Chart A.
2. Then select Options accordingly shown on Chart B and add that weight to the Chart A weight.
3. Once accumulated weight has been determined refer to Charts C.
4. Select tire size with determined weight in Chart C and select required spring.

CHART A

	Model	Front Weight		Rear Weight
		LH	RH	
AG-29	Colonade Hardtop Sedan	1042	1022	875
AJ-29	Cutlass Supreme Colonade Hardtop Sedan	1047	1027	894
AG-37	Cutlass Supreme Colonade Hardtop Coupe	1022	1002	860
AJ-57	Cutlass Supreme Colonade Hardtop Coupe	1025	1005	864
AM-57	Cutlass Supreme Brougham	1033	1013	870

CHART B

	Production Option	Front Weight	Rear Weight
AG1	Electric 6-Way Seat	5	5
AR9	Contour Reclining Seat	5	3
C60/C65	Air Conditioning	54	0
JL2	Power Disc Brakes	8	0
LV8/L34	260/350 V-8 Engine	75	6
L74	455 V-8 Engine	93	13
M38/M40	T.H. 350, 400 Transmission	20	10
UM1	Radio	7	3
W30	Hurst Package	18	14
Y72	Heavy Duty Cooling	12	0

CHART C STANDARD SUSPENSION

Front Weight			Part No. Spring	Rear Weight			Spring Part No.
FR78 Tire	GR70 GR78 Tire	G78 Tire		FR78 Tire	GR70 GR78 Tire	G78 Tire	
0-1062	0-1086	0-1098	3988111	0-850	0-881	0-897	485721
1063-1148	1087-1172	1099-1183	3988113	851-896	882-927	898-943	485722
1149-1233	1173-1256	1184-1266	462509	897-Over	928-Over	942-Over	482062
1134-1287	1257-1310	1267-1323	3988125				
1288-Over	1311-Over	1324-Over	3988126				

CHART C HEAVY DUTY SUSPENSION

Front Weight			Spring Part No.	Rear Weight			Spring Part No.
FR78 Tire	GR70 GR78 Tire	G78 Tire		FR78 Tire	GR70 GR78 Tire	G78 Tire	
0-1094	0-1121	0-1135	3988131	0-831	0-868	0-887	485736
1095-1174	1122-1202	1136-1216	3988133	832-899	869-936	888-955	485738
1175-1232	1203-1260	1217-1274	3988135	900-Over	937-Over	956-Over	485740
1233-Over	1261-Over	1275-Over	3988146				

1976 A BODY — STATION WAGONS

SPRING CHART

Follow the four steps below to utilize the 1976 Spring Chart:

1. Select the Model desired with the weight on Chart A.
2. Then select Options accordingly shown on Chart B and add that weight to the Chart A weight.
3. Once accumulated weight has been determined refer to Charts C.
4. Select the required spring opposite the total accumulated weight in Chart C .

CHART A

Model		Front Weight		Rear Weight
		LH	RH	
AH35	Cutlass Supreme Station Wagon	1136	1056	1129
AJ35	Cutlass Supreme Vista Cruiser	1138	1058	1132

CHART B

Production Option		Front Weight	Rear Weight
AG1	Electric 6 Way Seat	5	5
AQ4	Third Seat	0	17
C60/C65	Air Conditioning	54	0
L74	455 Engine	18	7
M38 /M40	T.H. 350, 400 Transmission	20	10
UM1	Radio	7	3
V55	Luggage Carrier	0	9
Y72	Heavy Duty Cooling	12	0

CHART C STANDARD SUSPENSION

Front Weight	Spring Part No.	Rear Weight	Spring Part No.
0-1094	3988111	0-1179	485680
1095-1145	3988113	1180-1269	485682
1146-1195	3988114	1270-Over	485684
1196-1262	462509		—
1263-Over	3788125		—

CHART C HEAVY DUTY SUSPENSION

Front Weight	Spring Part No.	Rear Weight	Spring Part No.
0-1128	3988131	0-1194	485687
1129-1209	3988133	1195-1283	485689
1210-1267	3988135	1284-Over	485691
1268-Over	3988125		—